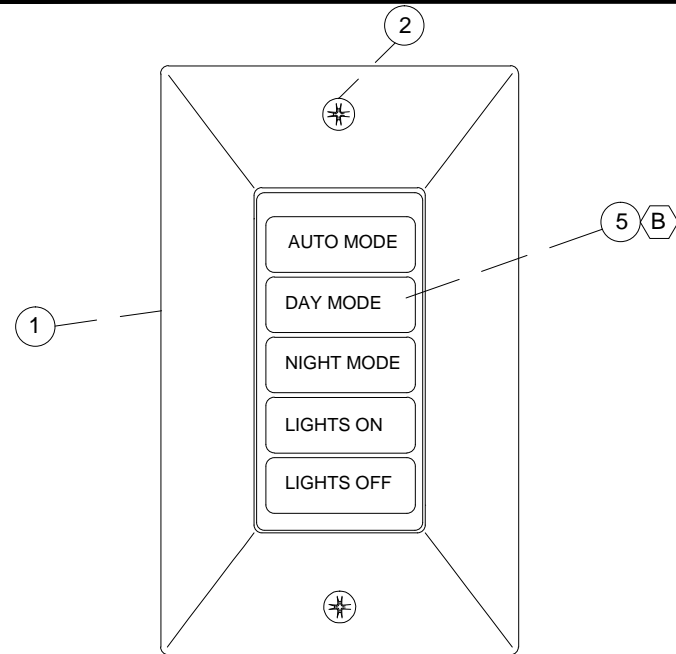
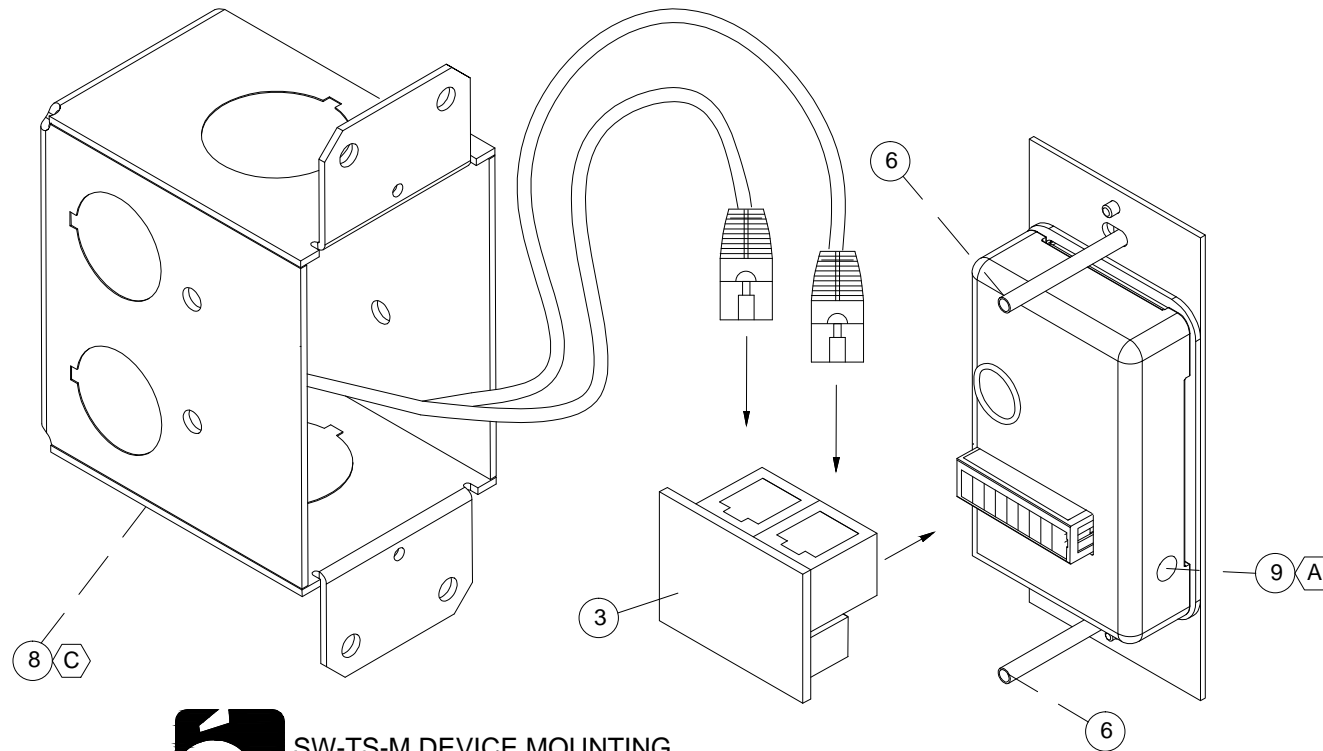


PAGE NOTES:

- ① STANDARD DECORA® WALL PLATE (NOT INCLUDED)
- ② WALL PLATE MOUNTING SCREWS (NOT INCLUDED)
- ③ COMMUNICATION / POWER TERMINATION (CONNECTOR)
- ④ AUDIBLE "BEEPER"
- ⑤ TOUCH - SCREEN DISPLAY
- ⑥ DEVICE MOUNTING SCREWS (INCLUDED)
- ⑦ THREADED MOUNTING HOLES FOR WALL PLATE
- ⑧ STANDARD 1 - GANG ELECTRICAL ENCLOSURE
- ⑨ END OF LINE SWITCH (EOL)
- ⑩ PRIMARY OR SECONDARY BRANCH WIRING (CAT5)



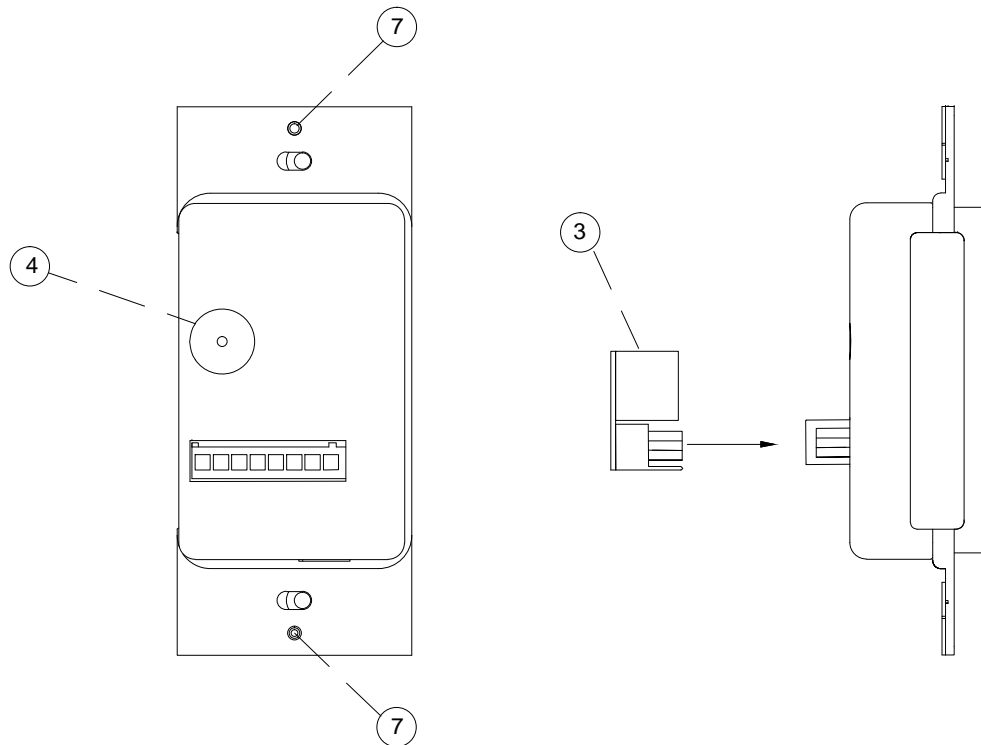
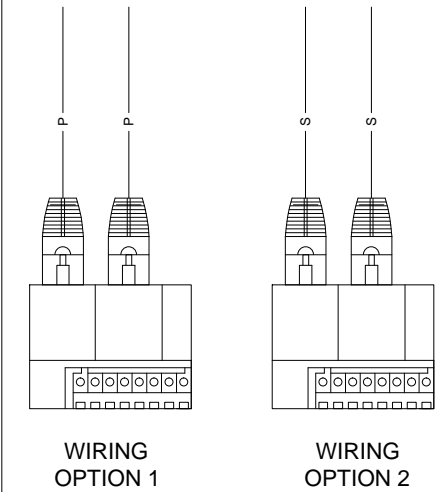
FRONT SW-TS-M DEVICE
SCALE: N.T.S.



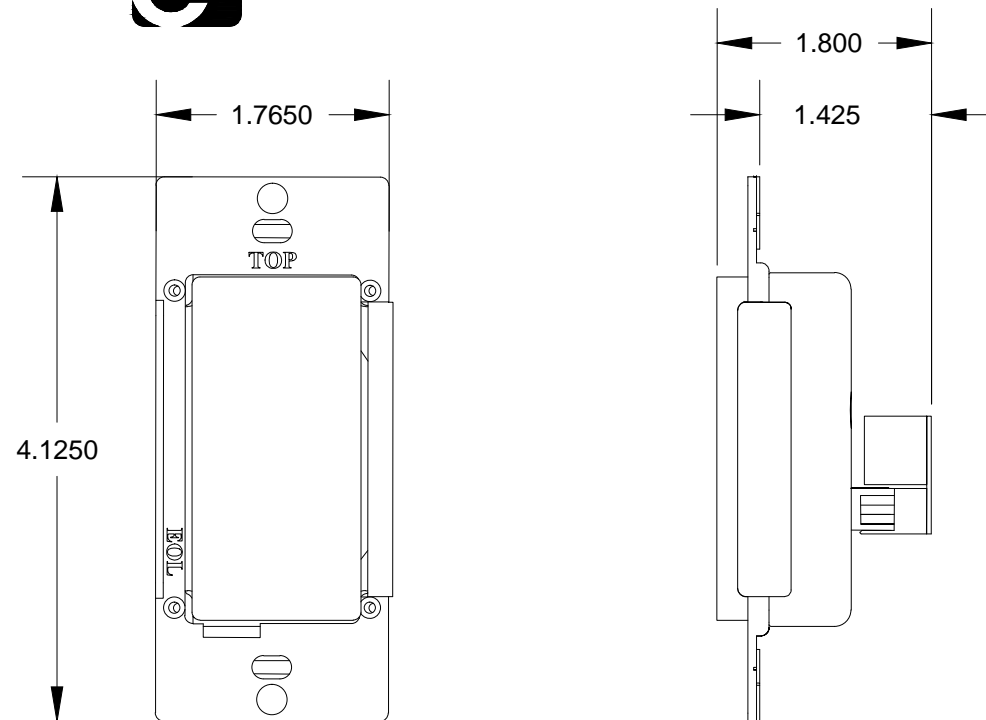
SW-TS-M DEVICE MOUNTING
SCALE: N.T.S.

CABLE LEGEND

- P — P — CAT 5 (MIN) PRIMARY BRANCH
- S — S — CAT 5 (MIN) SECONDARY BRANCH



BACK & SIDE OF SW-TS-M DEVICE
SCALE: N.T.S.



SW-TS-M DEVICE DIMENSIONS
SCALE: N.T.S.

SPECIAL NOTES:

- Ⓐ RED EOL BUTTON EXTENDED = END OF LINE RESISTOR ENABLED
DEPRESSED = END OF LINE RESISTOR DISABLED
- Ⓑ WHEN A NEW DEVICE IS ADDED TO A BRANCH NETWORK AN ACTIVATE "SOFT" BUTTON WILL APPEAR FOR ADDRESSING, PRESSING ANY BUTTON (20) TIMES WITH-IN (30) SECONDS WILL PRESENT DEVICE MENU OPTIONS INCLUDING - RESET TO FACTORY DEFAULTS
- Ⓒ NOTE MULTIPLE SW-TS-M DEVICES CAN BE "GANGED" WITH EQUIVALENT ELECTRICAL MOUNTING BOX

NOTE: DECORA® IS A TRADE MARK OF LEVITON CO.

PART#	SW-TS-M		
DESC.	MULTI-FUNCTION SWITCH		
DWG#	1-SW-TS (1 OF 1)		
DATE:	10/15/15	REV.	15-5
		DRAWING BY:	TDP

www.touchecontrols.com
phone: 1-888-841-4356

Touché

LIGHTING CONTROL