

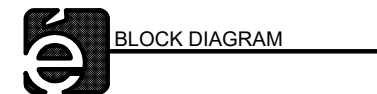
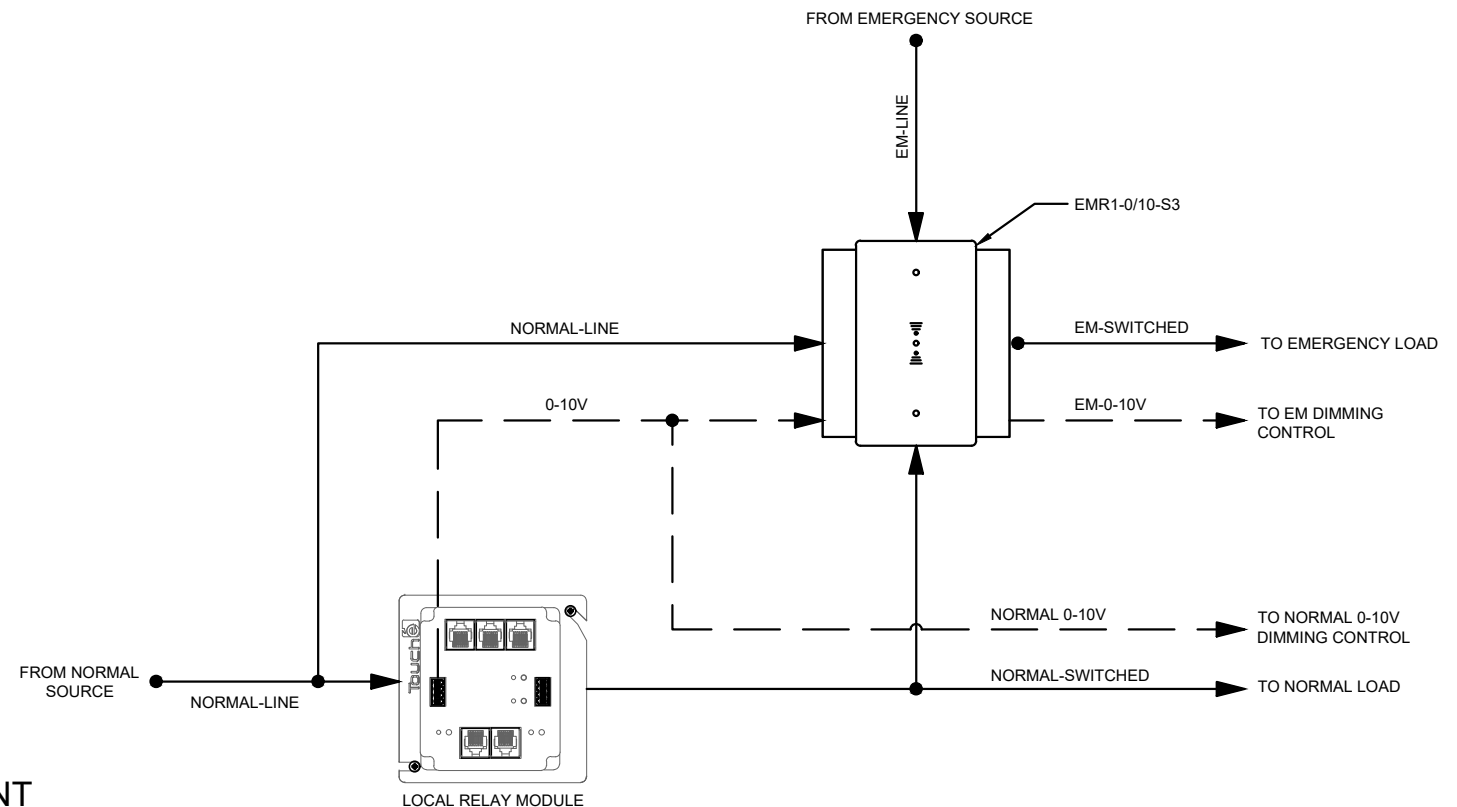
## INSTALLATION

IN ORDER TO INSTALL IN ACCORDANCE WITH THE NATIONAL/LOCAL CODE REQUIREMENTS, A QUALIFIED ELECTRICIAN SHOULD REVIEW AND UNDERSTAND THESE INSTALLATION INSTRUCTIONS. CHECK VOLTAGE AND CURRENT REQUIREMENTS. VERIFY AND LOCK OUT CIRCUIT BREAKERS ON BOTH NORMAL POWER AND 24 HOUR EMERGENCY CIRCUIT. INSTALL A SELF-ADHESIVE 2" X 3" CAUTION LABEL IN EACH FIXTURE OR LOAD CONTROLLED BY AN UNIT (CAUTIONING THAT THIS LOAD IS SUPPLIED FROM 2 DIFFERENT POWER SOURCES, REGULAR AND EMERGENCY). REVIEW WIRING DIAGRAMS AND CONNECT WIRES, ONE WIRE AT A TIME, IN ACCORDANCE WITH THE COLOR CODING.

### INITIAL TESTING AND TROUBLESHOOTING OF THE EMR1-0/10-S3

IN A NEW INSTALLATION, WHERE HUNDREDS OF DEVICES MAY BE USED, EACH HAVING AS MANY AS 14 WIRES TO BE CORRECTLY CONNECTED, IT IS IMPORTANT THAT A FAST, CONVENIENT METHOD IS USED TO CHECK CONNECTIONS. IN ORDER TO TEST THAT THE WIRES ARE CONNECTED CORRECTLY, WITHOUT ANY INCONVENIENCE TO OCCUPANTS, DO NOT TURN OFF REGULAR (UTILITY) POWER OFF UNTIL YOU HAVE CHECKED EACH DEVICE AS FOLLOWS:

- 1) CHECK THAT REGULAR BRANCH CIRCUIT BREAKER IS CONNECTED & UTILITY POWER IS AVAILABLE. GREEN LED SHOULD BE LIT. IF GREEN LED IS NOT LIT, CHECK CONNECTIONS AND CONTINUITY TO BRANCH CIRCUIT BREAKER.
- 2) CHECK THAT EMERGENCY BRANCH CIRCUIT BREAKER IS CONNECTED & EMERGENCY POWER IS AVAILABLE. RED LED SHOULD BE LIT. IF RED LED IS NOT LIT, CHECK CONNECTIONS & CONTINUITY TO BRANCH CIRCUIT BREAKER.
- 3) NORMAL OPERATIONS TEST: TURN DIMMER OR OTHER CONTROL DEVICE TO THE "ON" POSITION. NORMAL & EMERGENCY LIGHTS SHOULD TURN ON. REDUCE DIMMER TO 50%, NORMAL LIGHT SHOULD TURN OFF IMMEDIATELY. IF BLUE LOOP IS CONNECTED, EMERGENCY LIGHTS SHOULD STAY ON FOR AT LEAST 2.5 SECONDS. IF BLUE JUMPER IS CUT AND CAPPED, EMERGENCY LIGHTS SHOULD TURN OFF IMMEDIATELY.
- 4) EMERGENCY OPERATIONS TEST: PRESS AND HOLD;D TEST BUTTON, EMERGENCY LIGHTS SHOULD ILLUMINATE AT FULL BRIGHTNESS UNTIL TEST BUTTON IS RELEASED.

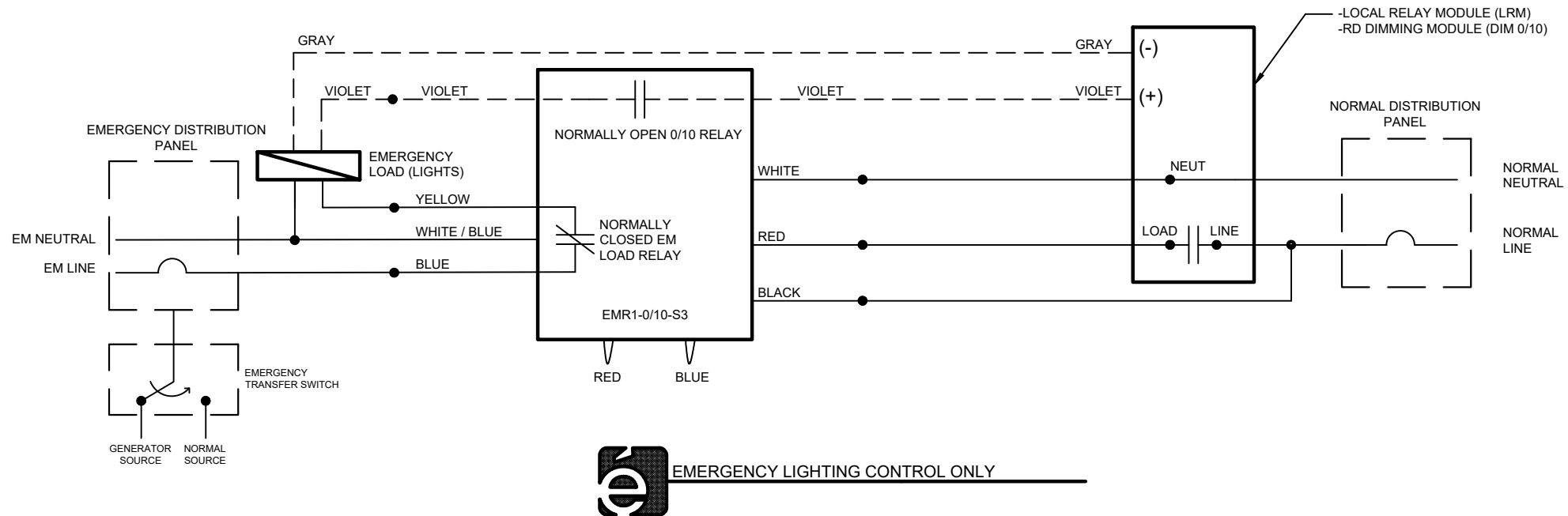


### AUTOMATIC DIAGNOSTIC FEATURE

THE EMR1-0/10-S3 HAS THE ABILITY TO BE PLACED ABOVE AN ACCESSIBLE CEILING AND DOES NOT NEED TO BE ACCESSED FOR TESTING. WHEN THE ROOM SWITCH IS TURNED OFF, THE EMERGENCY LIGHTING STAYS ON FOR 2.5 SECONDS TO INDICATE AN EMERGENCY POWER SOURCE WAS AVAILABLE AND THE EMR1-0/10-S3 IS FUNCTIONING CORRECTLY. THIS FUNCTION CAN BE REPLACED BY THE TEST BUTTON. BOTH METHODS ARE APPROVED FOR THIS PURPOSE.

PART#	EMR1-0/10-S3		
DESC.	EMERGENCY SHUNT MODULE		
DWG#	(1 OF 2)		
DATE:	07/29/20	REV.	REV 2
		DRAWING BY:	RCJ



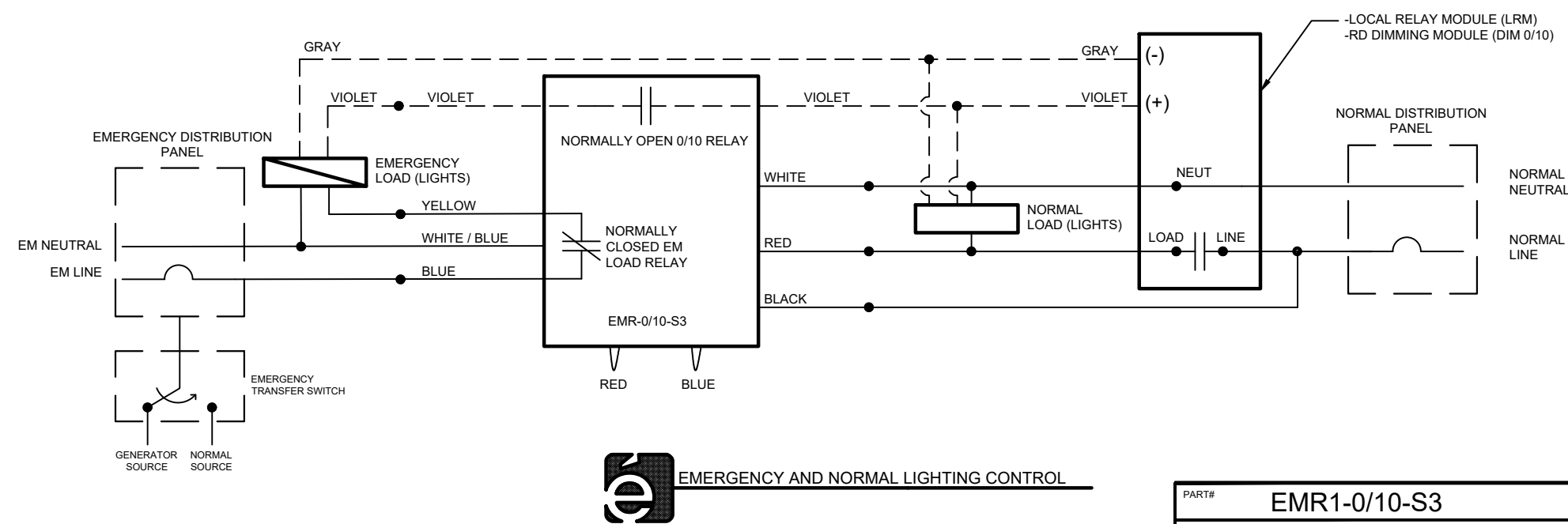


**BLACK AND WHITE: NORMAL SENSING STATUS INPUT:**

THIS IS USED TO SENSE WHETHER A NORMAL SOURCE IS AVAILABLE. THIS SHOULD BE AN UNSWITCHED CIRCUIT FROM THE DISTRIBUTION PANEL. WHEN A VOLTAGE IS PRESENT BETWEEN THESE CONDUCTORS, THIS EMERGENCY SHUNT RELAY WILL ALLOW THE EMERGENCY LOAD TO BE DETERMINED BY THE STATE OF THE SWITCHED INPUT (SEE BELOW). WHEN A VOLTAGE IS NOT PRESENT BETWEEN THE BLACK AND WHITE CONDUCTORS, THE NC EMERGENCY RELAY WILL REMAIN IN THE CLOSED STATE AND THE NO 0-10V RELAY WILL OPEN, FORCING THE 0-10V CONTROL SIGNAL TO A FULL ON STATE.

**RED AND WHITE: SWITCHED INPUT:**

THIS IS USED TO SENSE THE STATE OF THE NORMAL SWITCHED LOAD (WHEN PRESENT). WHEN A VOLTAGE IS PRESENT BETWEEN THESE CONDUCTORS THE NC EMERGENCY RELAY WILL REMAIN IN THE CLOSED STATE AND THE NO 0-10V RELAY WILL ALSO CLOSE ALLOWING THE 0-10V SIGNAL TO CONTROL THE DIMMED LEVEL. WHEN A VOLTAGE IS NOT PRESENT BETWEEN THESE CONDUCTORS, THE NC RELAY WILL BE FORCED OPEN AND THE NO 0-10V RELAY WILL CLOSE. THE FUNCTION DESCRIBED IN THIS SECTION WILL BE BYPASSED UPON LOSS OF THE NORMAL SOURCE STATUS INPUT (SEE ABOVE).



PART#	EMR1-0/10-S3		
DESC.	EMERGENCY SHUNT MODULE		
DWG#	(2 OF 2)		
DATE:	07/29/20	REV. REV 2	DRAWING BY: RCJ

www.touchecontrols.com  
phone: 1-888-841-4356

# Touché

LIGHTING CONTROL