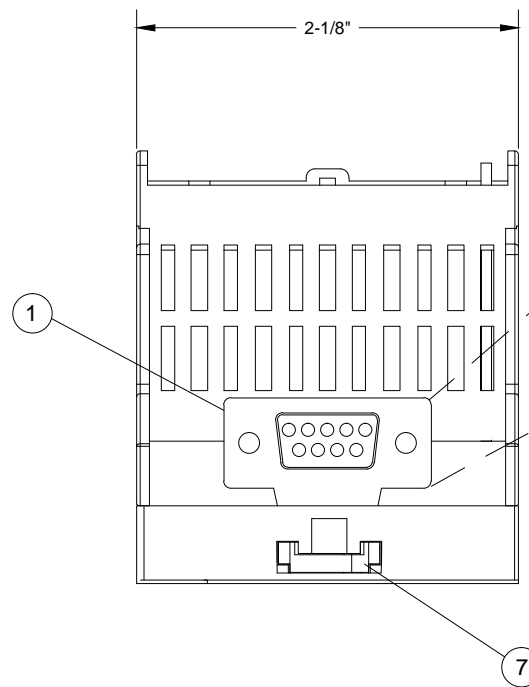
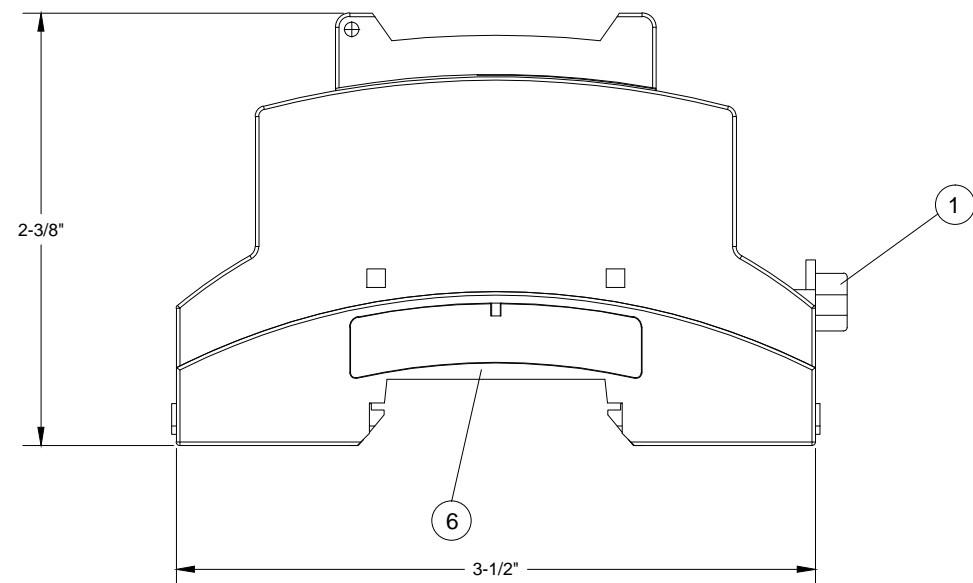
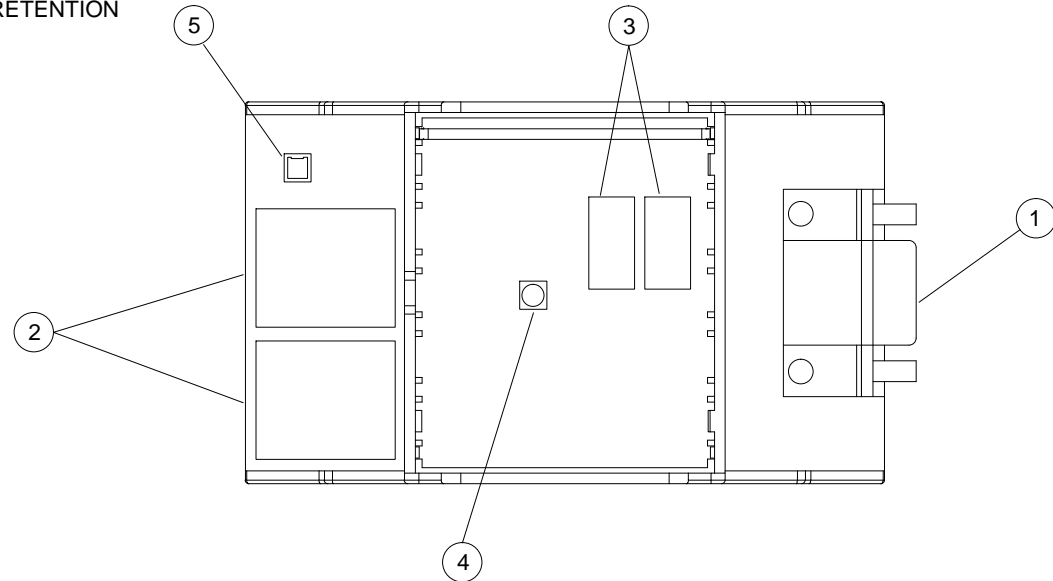
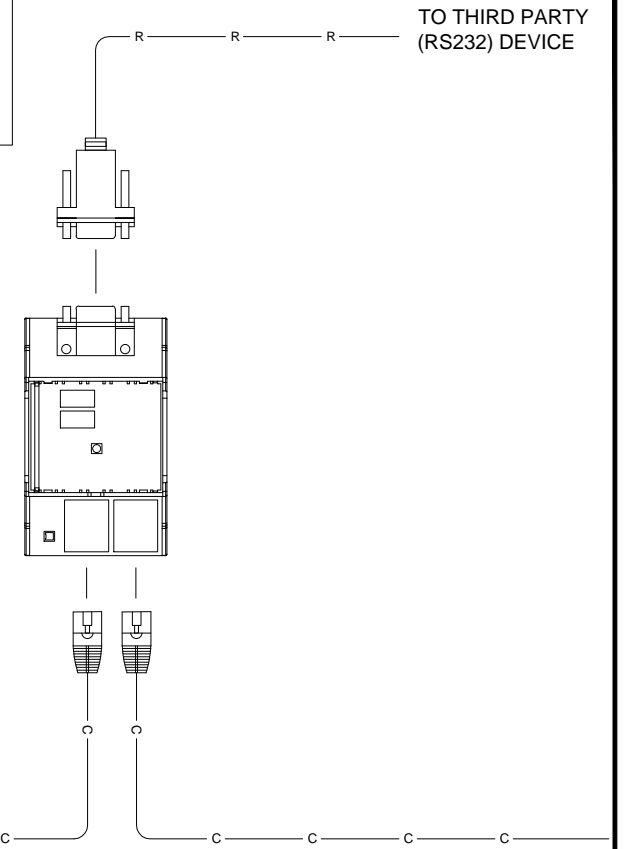
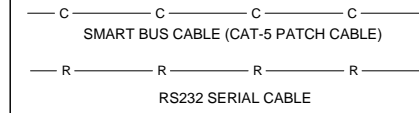


PAGE NOTES:

- ① DB-9 RS-232 MALE CONNECTOR
- ② PRIMARY OR SECONDARY BRANCH CONNECTIONS (RJ45)
- ③ ADDRESS INDICATOR
- ④ ACTIVATE / RESET BUTTON
- ⑤ END OF LINE (EOL) SWITCH
- ⑥ DIN RAIL CHANNEL
- ⑦ DIN RAIL RETENTION CLIP



CABLE KEY:



PIN	WIRE
1	NC
2	RxD
3	TxD
4	NC
5	GND
6	NC
7	RTS
8	CTS
9	NC

CONNECTOR PINOUT
SCALE: N.T.S.

PART#	CI-RS232		
DESC.	CI-RS232 WIRING		
DWG#	1-CI-RS232 (1 OF 1)		
DATE:	11/11/15	REV.	15-11
		DRAWING BY:	TDP

www.touchecontrols.com
phone: 1-888-841-4356

Touché
LIGHTING CONTROL