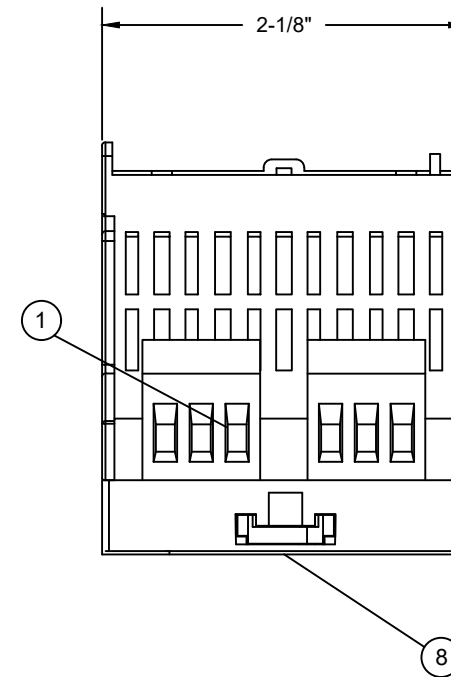
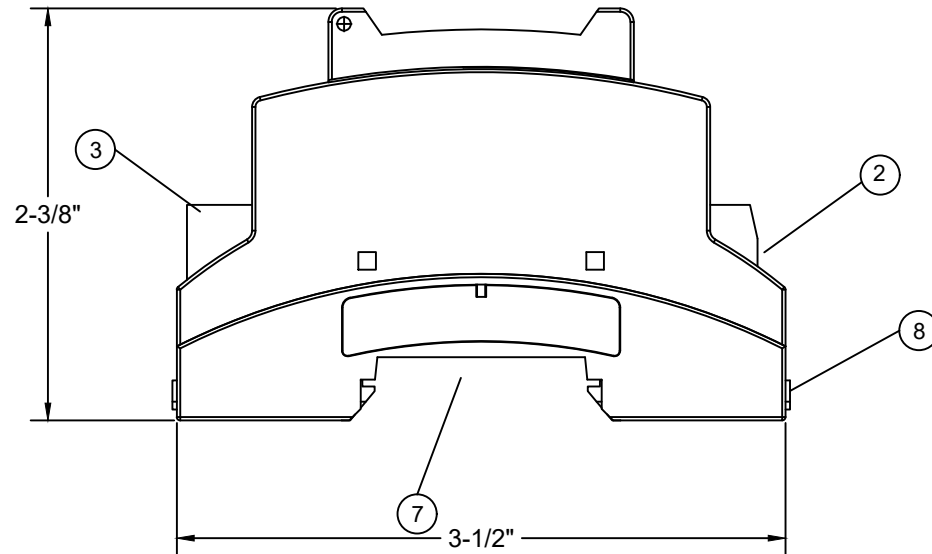
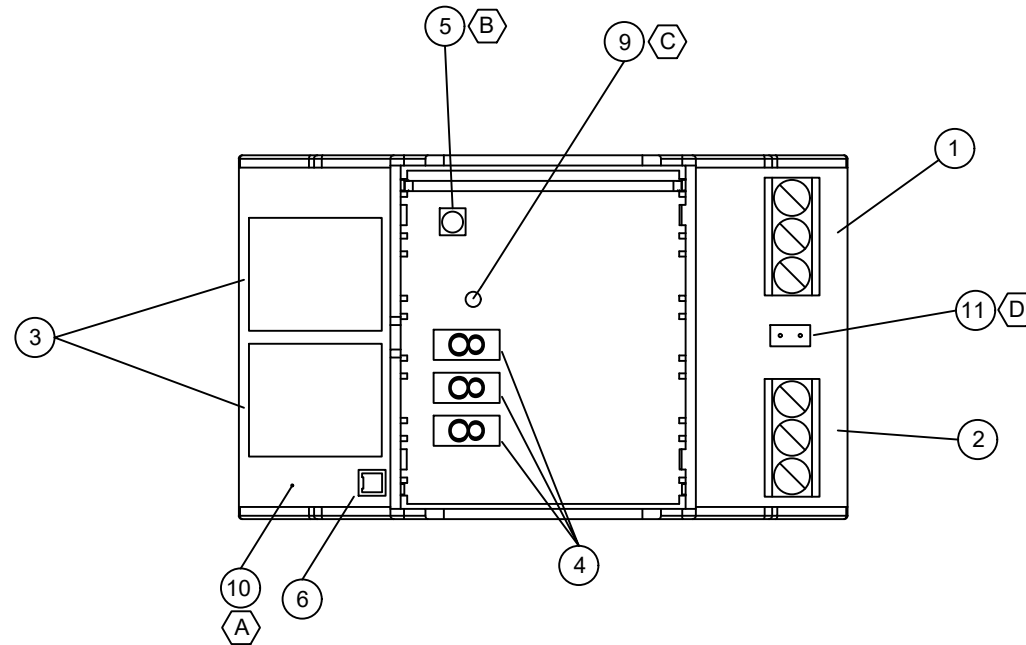


PAGE NOTES:

- ① DMX TERMINAL
- ② DMX TERMINAL
- ③ PRIMARY OR SECONDARY BRANCH PORTS (RJ45)
- ④ ADDRESS INDICATOR
- ⑤ ACTIVATE / RESET BUTTON
- ⑥ END OF LINE (EOL) SWITCH
- ⑦ DIN RAIL CHANNEL
- ⑧ DIN RAIL RETENTION CLIP
- ⑨ COMMUNICATION STATUS INDICATOR - BLUE
- ⑩ END OF LINE INDICATOR - GREEN
- ⑪ DMX INPUT TERMINATOR



CI-DMX DETAIL & DIMENSIONS

SCALE: NTS

FUNCTION & INDICATION

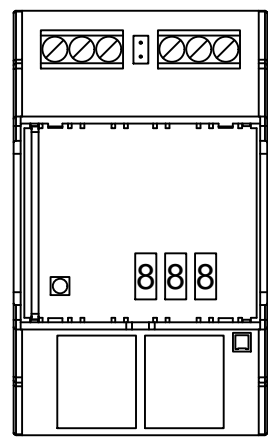
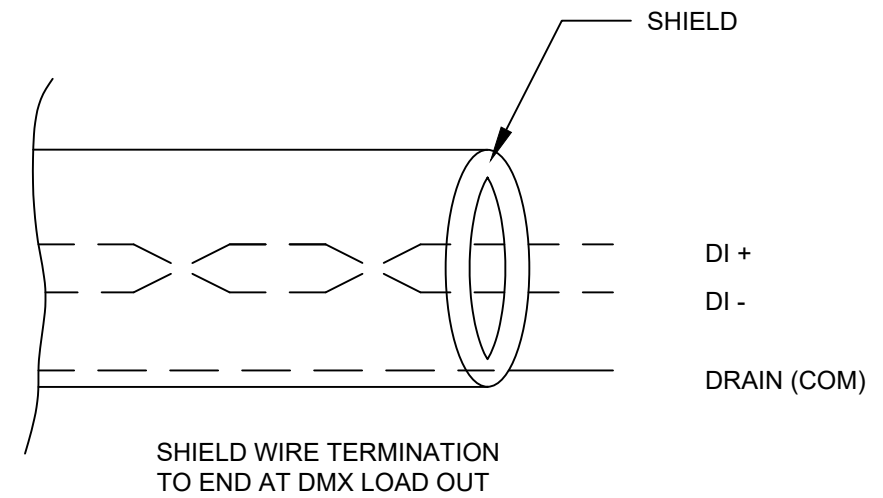
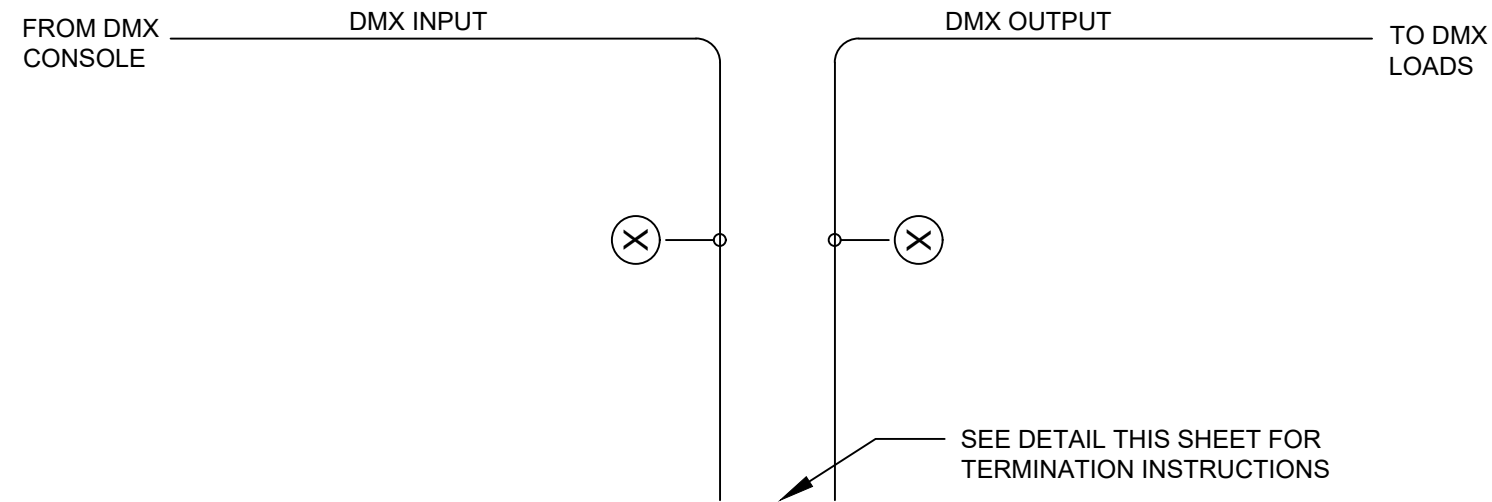
- Ⓐ GREEN ON = EOL ON
GREEN OFF = EOL OFF
- Ⓑ SHORT PRESS TO REQUEST ADDRESS
LONG PRESS (>10 SECONDS) TO RESET TO
FACTORY DEFAULTS
- Ⓒ BLUE BLINKING = ACTIVE AND COMM IS OK
SOLID = READY FOR ACTIVATION
OFF = NO COMM
- Ⓓ DMX INPUT TERMINATOR (11) TO BE SET
WHEN THIS DEVICE IS AT THE END OF A
DMX CONSOLE BRANCH. OTHERWISE
TERMINATION TO BE DISABLED.

PART#	CI-DMX		
DESC.	DMX - COMMUNICATION INTERFACE		
DWG#	1-CI-DMX		
DATE:	7/21/17	REV. REV1	DRAWING BY: BDM

www.touchecontrols.com
phone: 1-888-841-4356

Touché

LIGHTING CONTROL



CI-DMX CABLE (TYPE X)
SCALE: NTS

CABLE TYPE SCHEDULE

ID	DESCRIPTION	TYPE	NOTES
E	ETHERNET	CAT 5 (MIN)	MAXIMUM SEGMENT LENGTH IS 100 METERS (300').
P	PRIMARY NETWORK	CAT 5 (MIN)	TOTAL PRIMARY BRANCH LENGTH NOT TO EXCEED 2000' WITHOUT A BRANCH BOOSTER.
S	SECONDARY NETWORK	CAT 5 (MIN)	TOTAL SECONDARY BRANCH LENGTH NOT TO EXCEED 2000' WITHOUT A BRANCH BOOSTER.
M	SMART BUS NETWORK	CAT 5 (MIN)	TOTAL SMART BUS LENGTH NOT TO EXCEED 400' (BOOSTER NOT PERMITTED)
D	DIGITAL INPUT CABLE	18 GAUGE / 2C	
10	0-10V DIMMING	18 GAUGE / 2C	CONDUCTOR COLOR CODE: (+) VIOLET, (-) GRAY
B	BOOSTER CABLE	16 GAUGE / 2C	BOOSTER CABLE MUST NOT CROSS SEPARATE MASTER INTERFACES OR MFI INTERFACES.
X	DMX CABLE	24 GAUGE / 2C + SHLD	PIN 1 SHIELD, PIN 2 DATA -, PIN 3 DATA +
R	RS232 CABLE	FACTORY DB9	TOTAL LENGTH NOT TO EXCEED 30'
3	SENSOR CABLE	18 GAUGE / 3C	PHOTO CELL / OCC CABLE



CI-DMX CONNECTIVITY
SCALE: NTS

PART#	CI-DMX		
DESC.	DMX - COMMUNICATION INTERFACE		
DWG#	2-CI-DMX		
DATE:	7/21/17	REV.	REV1
		DRAWING BY:	BDM

www.touchecontrols.com
phone: 1-888-841-4356