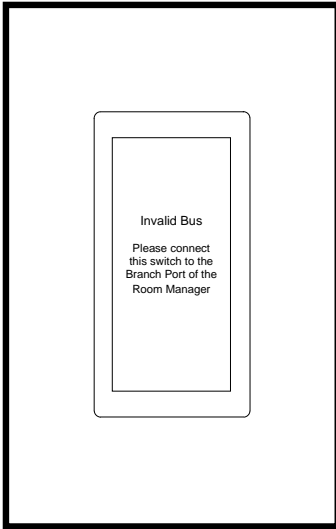


COLOR MINI WALL STATION

PART # WS-C-MINI

SCREEN INFORMATION

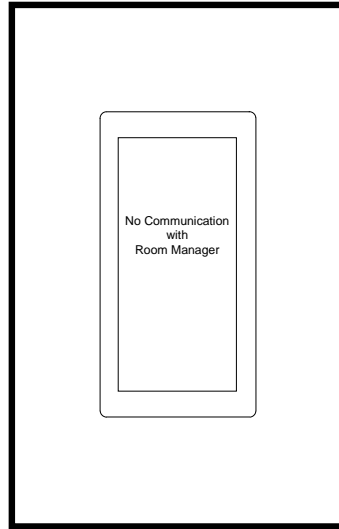
SYMBOLS AS SHOWN ON
SUBMITTAL AND
CONSTRUCTION DOCUMENTS



BUS ERROR

**ISSUE - CONNECTED TO ROOM
MANAGER SMART PORT**

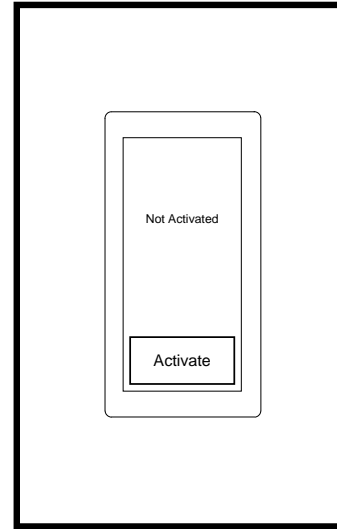
- REMOVE FROM CURRENT PORT AND CONNECT TO ROOM MANAGER BRANCH PORT
- THIS WILL NOT APPEAR WHEN CONNECTED TO THE SMARTPACKPLUS



COMMUNICATION ERROR

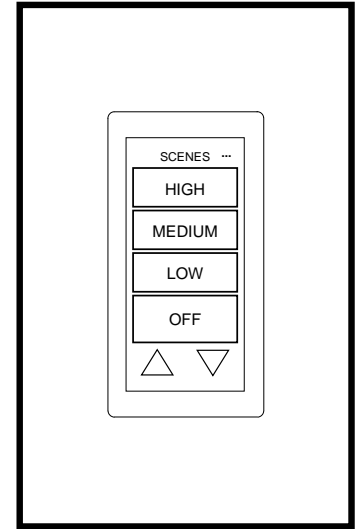
ISSUE - POWER AND NO COMMUNICATION

- VERIFY SWITCH IS CONNECTED TO BRANCH PORT IF CONNECTED TO ROOM MANAGER
- VERIFY CABLING TERMINATION COLOR CODING



UNACTIVATED

• PRESS AND HOLD ACTIVATE BUTTON



NO ACTION REQUIRED

TIPS / NOTES

- WS-C-MINI IS A BRANCH DEVICE WHEN CONNECTED TO A ROOM MANAGER AND A SMART DEVICE WHEN CONNECTED TO A SMARTPACK PLUS
- WS-C-MINI CANNOT BE USED WITH A SMARTPACK
- MOUNTS TO SINGLE GANG JUNCTION BOX OR 4 SQUARE BOX WITH SINGLE GANG MUD RING

CLEANING DOS

- USE ONLY TOUCHSCREEN SAFE CLEANER AND CLEAN MICROFIBER CLOTH
- DAMPEN THE CLEAN MICROFIBER CLOTH AND WIPE SWITCH
- WIPE THE SWITCH DRY WITH A CLEAN MICROFIBER CLOTH

CLEANING DON'TS

- USE GLASS CLEANER
- SPRAY SWITCH DIRECTLY WITH CLEANER
- USE PAPER TOWELS



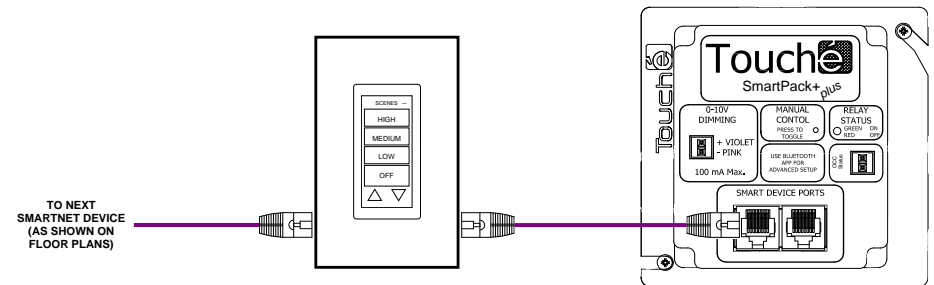
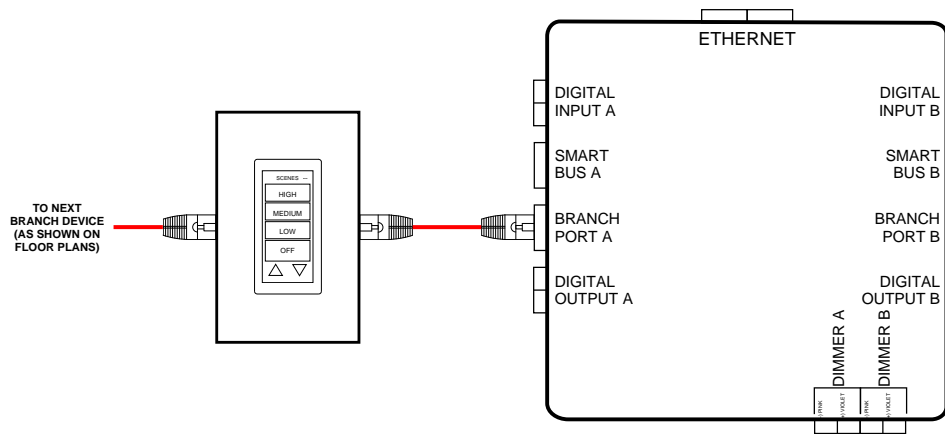
FAILURE TO FOLLOW THESE INSTRUCTIONS WILL DAMAGE THE SWITCH AND VOID THE PRODUCT WARRANTY

COLOR MINI WALL STATION CONNECTIVITY DIAGRAM

PART # WS-C-MINI



SYMBOLS AS SHOWN
ON SUBMITTAL AND
CONSTRUCTION
DOCUMENTS



CABLE TYPES			
LINE ID	DESCRIPTION	TYPE	NOTES
	BRANCH	CAT 5 (MIN)	TOTAL BRANCH LENGTH NOT TO EXCEED 1000'

CABLE TYPES			
LINE ID	DESCRIPTION	TYPE	NOTES
	SMART	CAT 5 (MIN)	TOTAL SMARTNET LENGTH NOT TO EXCEED 400'