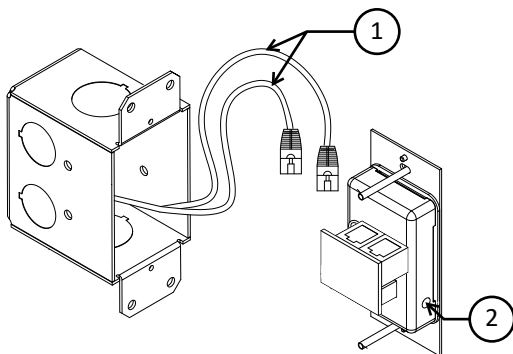
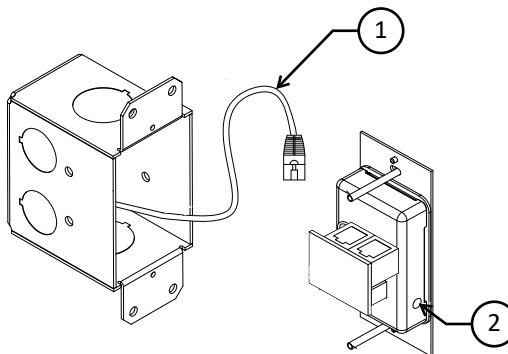


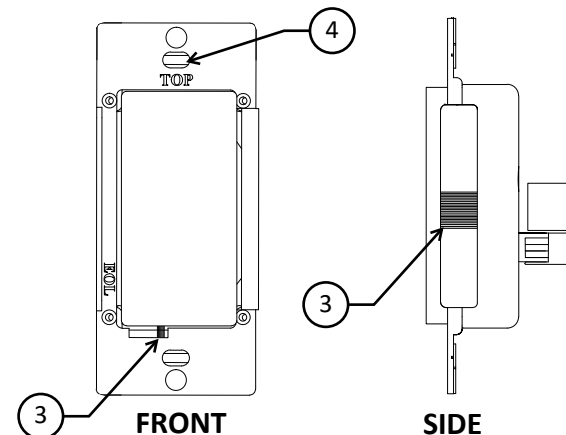
TWO CABLES CONNECTED MIDDLE OF BRANCH



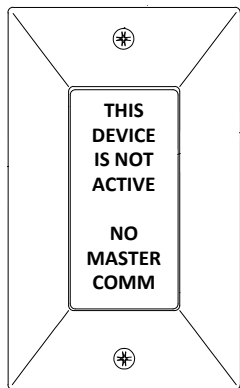
ONE CABLE CONNECTED END OF BRANCH



SWITCH WITHOUT COVERPLATE



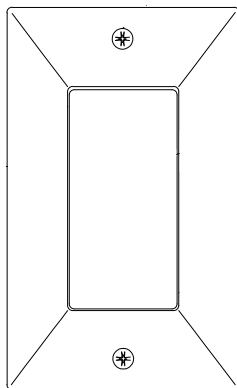
SCREEN INFORMATION



INCORRECT

ISSUE - POWER AND NO COMMUNICATION

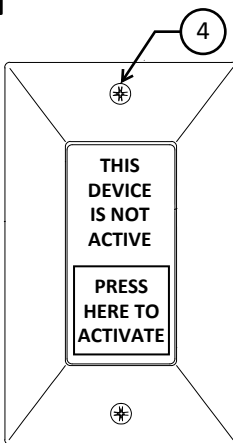
1. VERIFY SWITCH IS CONNECTED TO BRANCH PORT
2. VERIFY CABLING TERMINATION COLOR CODING



INCORRECT

ISSUE - NO POWER AND NO COMMUNICATION

1. VERIFY SWITCH IS CONNECTED TO BRANCH PORT
2. VERIFY CABLING TERMINATION COLOR CODING



CORRECT

TIPS / NOTES

1. **MINIMUM CAT 5 CABLE - ENSURE CABLES ARE PLUGGED INTO BRANCH PORTS OF LRM'S OR RM'S - DO NOT CONNECT TO SMART PORTS**
2. **END-OF-LINE RESISTOR BUTTON - IF TWO CABLES ARE CONNECTED, LEAVE RED BUTTON RECESSED. IF ONE CABLE IS CONNECTED TOGGLE RED BUTTON OUT.**
3. **EXERCISE CAUTION WHEN INSTALLATION AS TO NOT DAMAGE RIBBON CABLES.**
4. **DO NOT INSTALL SWITCH OR COVERPLATE EXCESSIVELY TIGHT TO WALL**

ALWAYS

- USE ONLY TOUCHSCREEN SAFE CLEANER AND MICROFIBER CLOTH
- DAMPEN THE CLEAN MICROFIBER CLOTH AND WIPE SWITCH
- WIPE THE SWITCH DRY WITH A CLEAN MICROFIBER CLOTH

NEVER

- USE GLASS CLEANER
- SPRAY SWITCH DIRECTLY WITH CLEANER
- USE PAPER TOWELS

FAILURE TO FOLLOW THESE INSTRUCTIONS WILL DAMAGE THE SWITCH AND VOID THE PRODUCT WARRANTY



CONNECTIVITY DIAGRAM

COMPONENT LIST

1. MSTR-DVOLT-2 (DOOR OPEN)
2. SBB1
3. LRM OR LIM
4. RD PANEL
5. SW-TS-M
6. SMOAS
7. TSUI
8. RM
9. WS-TS-C
10. SS-2B
11. SS-SF

CABLE LEGEND

- = éNET (CAT5)
- = BRANCH NETWORK (CAT 5)
- = SMART NETWORK (CAT 5)
- = 16/2 POWER CABLE

NOTE: ALL COMPONENTS MAY NOT BE PRESENT. DIAGRAM IS ONLY INTENDED TO SHOW CONNECTION POINTS BETWEEN COMPONENTS

