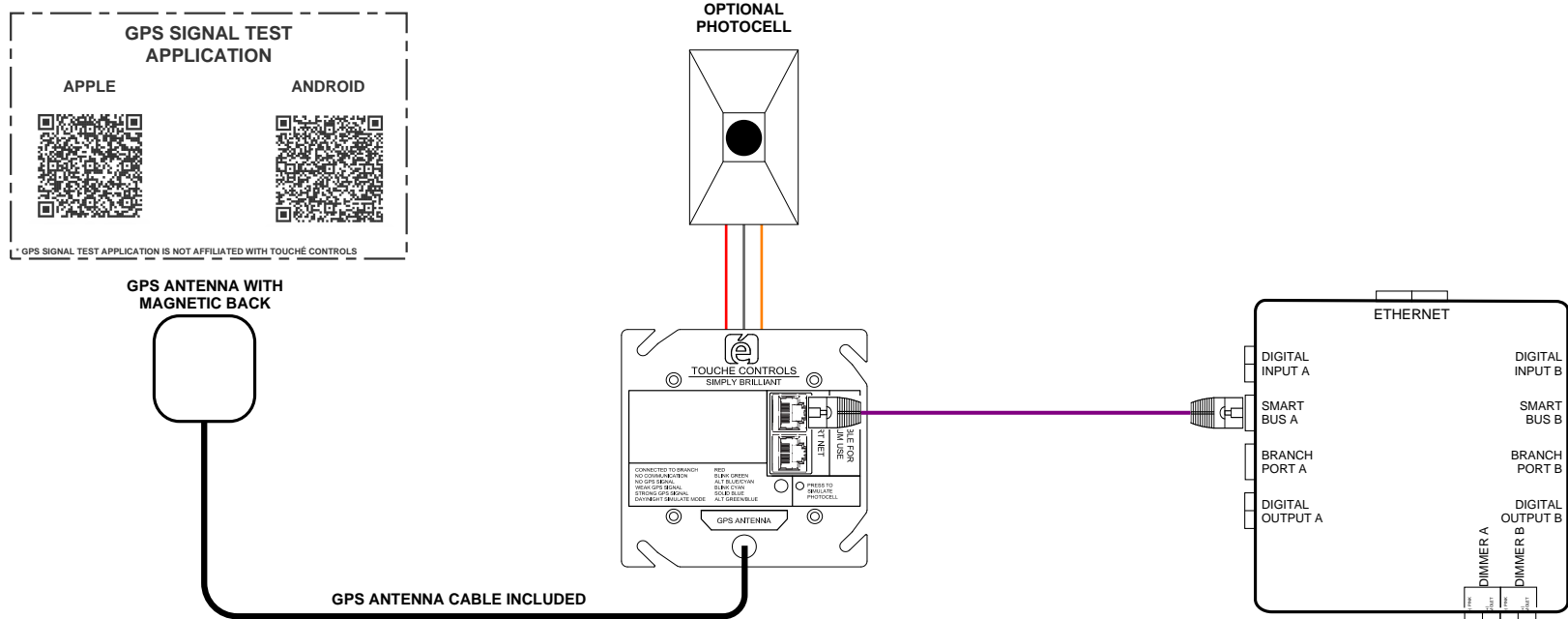


TIPS / NOTES

3. SMARTNET CABLING - CAT 5 (MINIMUM) CABLE - CONNECT TO NETWORKED ROOM MANAGER SMARTNET PORT OR DAISY CHAIN TO NEXT SMART DEVICE - DO NOT CONNECT TO BRANCH PORTS OR BRANCH DEVICES

- SMART TIME CLOCK MODULE ONLY FUNCTIONS WITH THE ROOM MANAGER.

SYMBOLS AS SHOWN
 ON SUBMITTAL AND
 CONSTRUCTION
 DOCUMENTS



LED INDICATIONS - GENERAL			
LED COLOR	DESCRIPTION	INDICATION MEANING	RECOMMENDATION(S)
●	SOLID RED	DEVICE IS CONNECTED TO BRANCH PORT	DISCONNECT CAT5 FROM BRANCH PORT AND CONNECT TO SMART PORT
●	BLINKING GREEN	NO COMMUNICATION	REPLACE CAT5 CABLE CONNECTING STC/STC-PC TO ROOM MANAGER
● ALT ●	ALTERNATING GREEN AND BLUE	DAY/NIGHT SIMULATE MODE	
LED INDICATIONS - GPS SIGNAL			
LED COLOR	DESCRIPTION	INDICATION MEANING	RECOMMENDATION(S)
● ALT ●	ALTERNATING BLUE AND CYAN	NO GPS SIGNAL	USE TOUCHÉ RECOMMENDED GPS TEST SIGNAL APPLICATION AND MOVE THE STC/STC-PC TO THE LOCATION WITH THE BEST GPS SIGNAL STRENGTH
●	BLINKING CYAN	WEAK GPS SIGNAL	
●	SOLID BLUE	STRONG GPS SIGNAL	NONE

CABLE TYPES			
LINE ID	DESCRIPTION	TYPE	NOTES
—	SMART	CAT 5 (MIN)	TOTAL SMARTNET LENGTH NOT TO EXCEED 400'