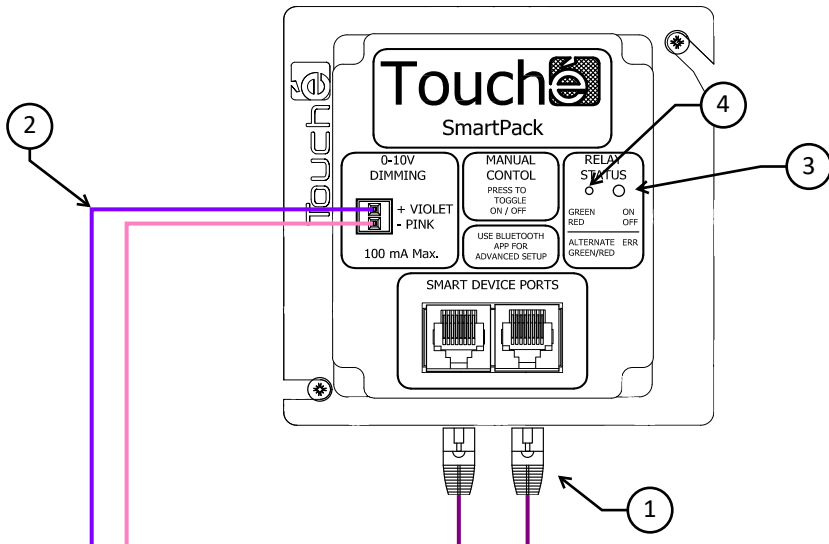
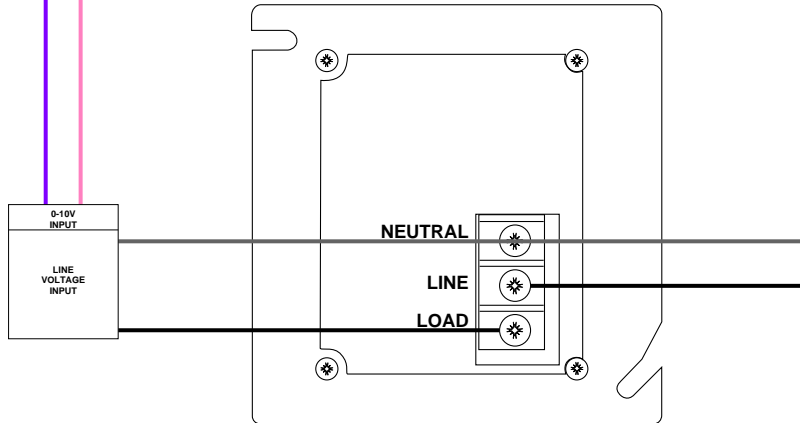


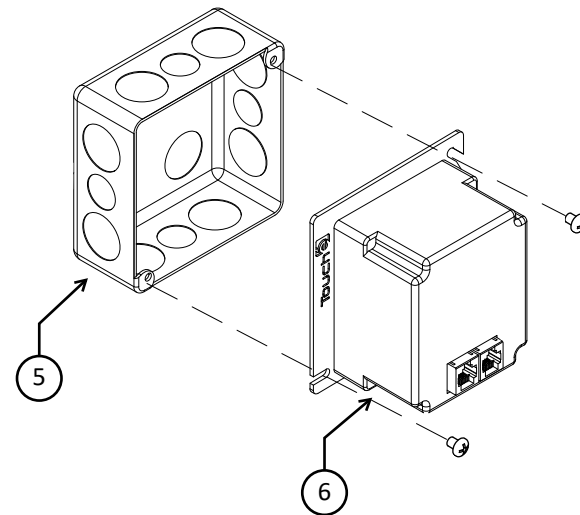
FRONT (LOW VOLTAGE CONNECTIVITY)



BACK (LINE VOLTAGE CONNECTIVITY)



MOUNTING



SP

SYMBOLS AS SHOWN
ON SUBMITTAL AND
CONSTRUCTION
DOCUMENTS

TIPS / NOTES

1. SMARTNET CABLING - CAT 5 (MINIMUM) CABLE - CONNECT TO SMART PORTS OF CONNECTABLE DEVICES (MAXIMUM OF 10 DEVICES).
2. 0-10v DIMMING CABLE - SIZE PER BALLAST MFG - RECOMMEND 22GU-16GU
3. STATUS LED INDICATION:
4. MANUAL OVERRIDE BUTTON
5. STANDARD 4" SQUARE ELECTRICAL BOX - NOT INCLUDED
6. SMARTPACK

SMARTPACK DEVICE CONNECTIVITY

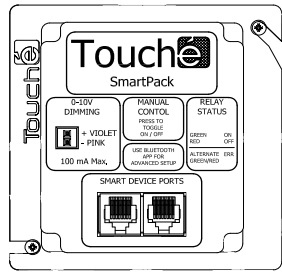
PART # SP

SP

SYMBOLS AS SHOWN ON SUBMITTAL AND CONSTRUCTION DOCUMENTS

THE SMARTPACK IS ABLE TO CONTROL UP TO 3 SMART EXPANSION MODULES AND UP TO 10 DEVICES TOTAL.

ROOM CONTROLLER		
SYM	PART ID	DESCRIPTION
SP	SP	SMARTPACK

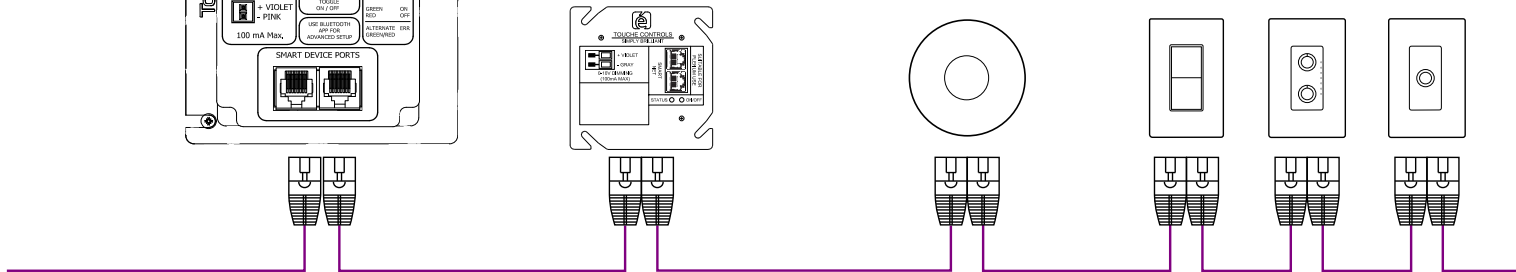


SMART ZONE EXPANSION MODULES		
SYM	PART #	DESCRIPTION
SLC	SLC-R	PLUG LOAD CHANNEL ONLY
SLC	SCC-D010	DAYLIGHTING CHANNEL ONLY
SES	SES-D010	0-10V EMERGENCY CHANNEL ONLY
SES	SES-R	EMERGENCY RELAY CHANNEL ONLY

SMART SENSORS		
SYM	PART #	DESCRIPTION
S	SMAOS-L	UNIVERSAL LOW
S	SMAOS-H	UNIVERSAL HIGH

SMART SWITCHES		
SYM	PART #	DESCRIPTION
S	SS-SF	SINGLE FUNCTION
S	SS-2B	TWO BUTTON DIMMER
S	SS-K	KEYED SWITCH

TO NEXT SMARTNET DEVICE (AS SHOWN ON FLOOR PLANS)



TO NEXT SMARTNET DEVICE (AS SHOWN ON FLOOR PLANS)

CABLE TYPES			
LINE ID	DESCRIPTION	TYPE	NOTES
	SMART	CAT 5 (MIN)	TOTAL SMARTNET LENGTH NOT TO EXCEED 400'