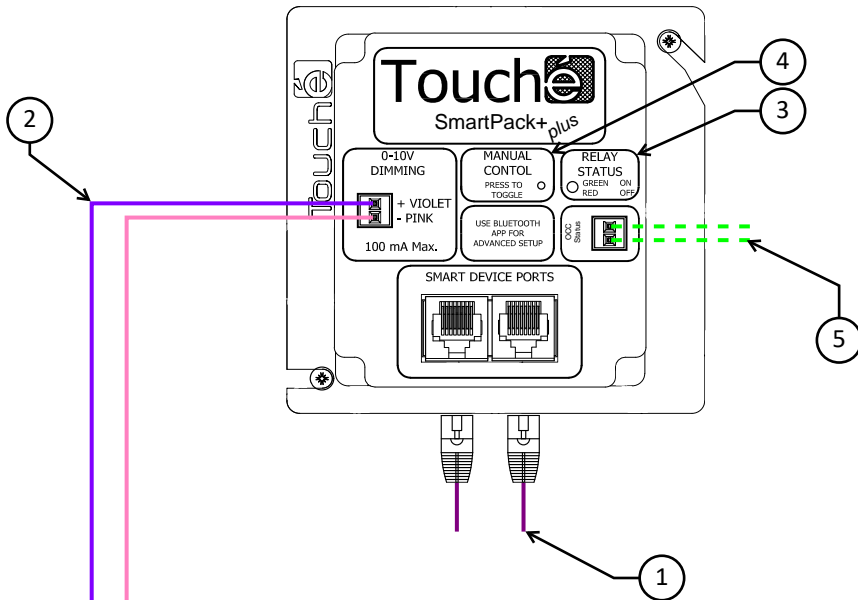
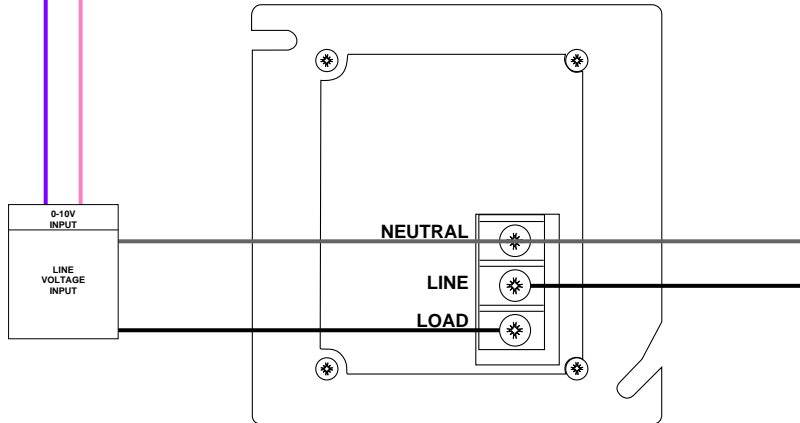


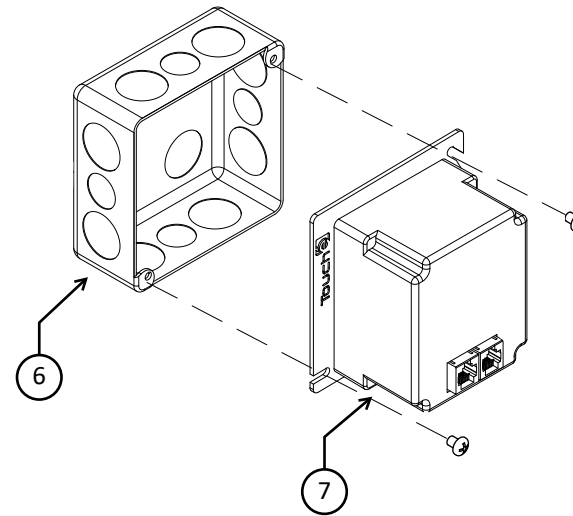
FRONT (LOW VOLTAGE CONNECTIVITY)



BACK (LINE VOLTAGE CONNECTIVITY)



MOUNTING



SP+

SYMBOLS AS SHOWN
ON SUBMITTAL AND
CONSTRUCTION
DOCUMENTS

TIPS / NOTES

1. SMARTNET CABLING - CAT 5 (MINIMUM) CABLE - CONNECT TO SMART PORTS OF CONNECTABLE DEVICES (THE SMARTPACK PLUS IS ABLE TO TO CONTROL UP TO 6 SMART EXPANSION MODULES AND UP TO 15 DEVICES TOTAL.).
2. 0-10v DIMMING CABLE - SIZE PER BALLAST MFG - RECOMMEND 22GU-16GU
3. STATUS LED INDICATION:
4. MANUAL OVERRIDE BUTTON
5. OCCUPANCY STATUS DIGITAL OUTPUT - RECOMMEND 18/2
6. STANDARD 4" SQUARE ELECTRICAL BOX - NOT INCLUDED
7. SMARTPACK PLUS



SYMBOLS AS SHOWN ON SUBMITTAL AND CONSTRUCTION DOCUMENTS

THE SMARTPACK PLUS IS ABLE TO CONTROL UP TO 5 SMART EXPANSION MODULES AND UP TO 15 DEVICES TOTAL.

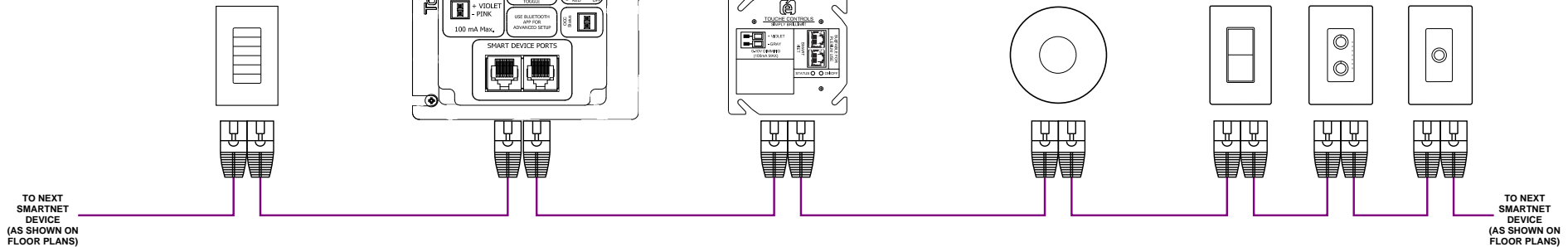
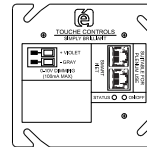
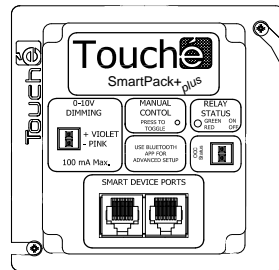
ROOM CONTROLLER		
SYM	PART ID	DESCRIPTION
SP+	SP-PLUS	SMARTPACK PLUS

SMART ZONE EXPANSION MODULES		
SYM	PART #	DESCRIPTION
SLC	SLC-D010	ONE CHANNEL 0-10V DIMMING
SLC	SLC-R	ONE CHANNEL RELAY ONLY
SCC	SCC-D010	0-10V DIMMING CHANNEL ONLY
SES	SES-D010	ONE EM CHANNEL 0-10V DIMMING
SES	SES-R	ONE EM CHANNEL RELAY ONLY

SMART SENSORS		
SYM	PART #	DESCRIPTION
S	SMAOS-L	UNIVERSAL LOW
S	SMAOS-H	UNIVERSAL HIGH

SMART SWITCHES		
SYM	PART #	DESCRIPTION
SS	SS-SF	SINGLE FUNCTION
SS	SS-2B	TWO BUTTON DIMMER
SS	SS-K	KEYED SWITCH

WALL STATION		
SYM	PART ID	DESCRIPTION
WS	WS-C-MINI	COLOR MINI WALLSTATION



CABLE TYPES			
LINE ID	DESCRIPTION	TYPE	NOTES
	SMART	CAT 5 (MIN)	TOTAL SMARTNET LENGTH NOT TO EXCEED 400'