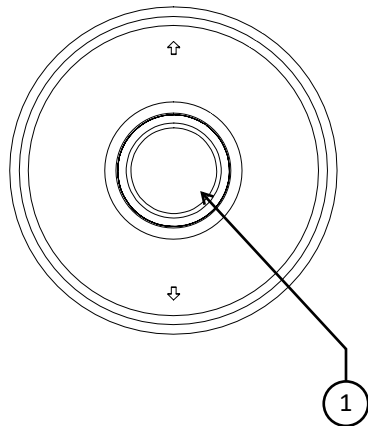
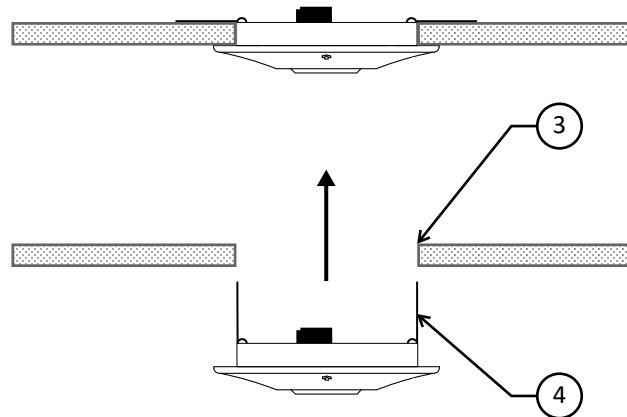


FRONT OF OCCUPANCY SENSOR



RECESSED MOUNTING

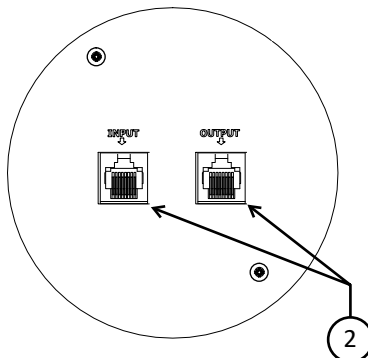


NOTES



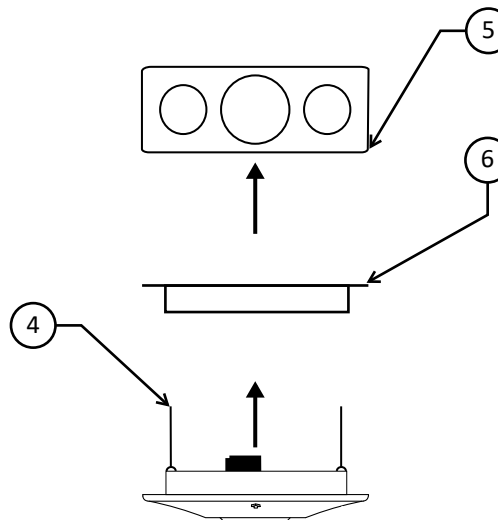
1. PIR FRESNEL LENS AND LED INDICATOR (SEE CONNECTIVITY PAGE FOR LED INDICATION)
2. SMART PORTS - MINIMUM CAT 5 CABLE - DO NOT CONNECT TO BRANCH PORTS
3. 3-1/2" DIAMETER OPENING. 3-5/8" HOLE SAW FOR 3" CONDUIT IS ALLOWED
4. MOUNTING SPRINGS
5. STANDARD 4 SQUARE BOX
6. CIRCLE MUD RING FOR 4 SQUARE BOX
7. HEXAGONAL ELECTRICAL BOX
8. SNAP RING REQUIRED FOR MOUNTING TO HEXAGONAL ELECTRICAL BOX (SOLD SEPARATELY)

BACK OF OCCUPANCY SENSOR

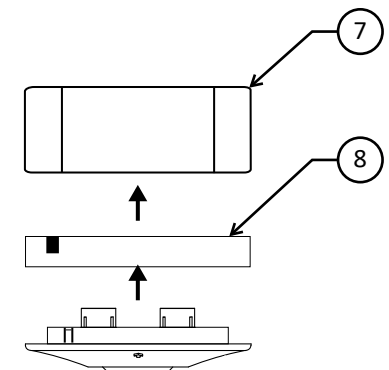


NOTE: LABELED INPUT AND OUTPUT PORTS ARE FOR CABLE IDENTIFICATION ONLY - PORTS ARE ELECTRICALLY IDENTICAL & CAN BE INTERCHANGED.

4 SQUARE WITH MUD RING MOUNTING



HEXAGONAL ELECTRICAL BOX MOUNTING

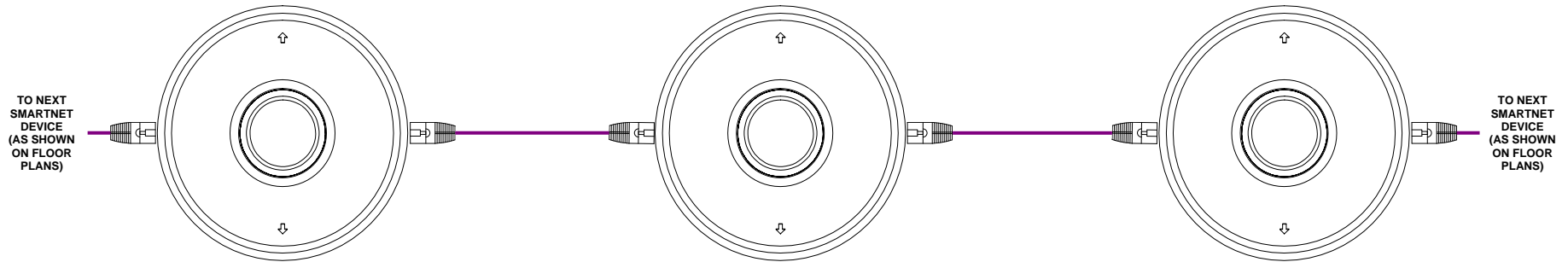


SMART OCCUPANCY SENSOR CONNECTIVITY

PART # SMAOS-L/H

CABLE TYPES			
LINE ID	DESCRIPTION	TYPE	NOTES
—	SMART	CAT 5 (MIN)	TOTAL SMARTNET LENGTH NOT TO EXCEED 400'

SYMBOLS AS SHOWN
 ON SUBMITTAL AND
 CONSTRUCTION
 DOCUMENTS



LED INDICATION			
LED COLOR	DESCRIPTION	INDICATION MEANING	RECOMMENDATION(S)
	BLUE	SENSES OCCUPANCY	NONE
	GREEN	SENSOR IS FORCED VACANT	NONE
	BLINKING GREEN	SENSOR HAS POWER BUT IS NOT COMMUNICATING WITH CONTROLLER	CHECK PATCH CABLE
	RED	CONNECTED TO BRANCH PORT	CONNECT TO SMARTNET
	OFF	NO POWER	CHECK PATCH CABLE