

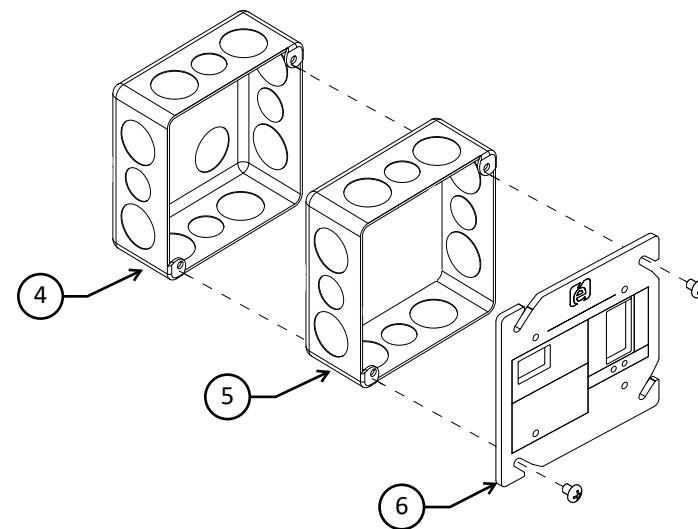
TIPS / NOTES

1. SMARTNET PORTS - RJ45 CONNECTIONS
2. STATUS LED
3. MANUAL OVERRIDE BUTTON
PRESS AND RELEASE = TOGGLE RELAY ON/OFF
PRESS AND HOLD = COMM CHECK (SOLID BLUE STATUS LED = COMM PRESENT WITH RM)
4. STANDARD 4" SQUARE ELECTRICAL BOX - NOT INCLUDED
5. 1-1/2" EXTENSION RING - PROVIDED WITH SMART LOAD CONTROL MODULE - MUST BE INSTALLED FOR WARRANTY COVERAGE
6. SMART LOAD CONTROL MODULE



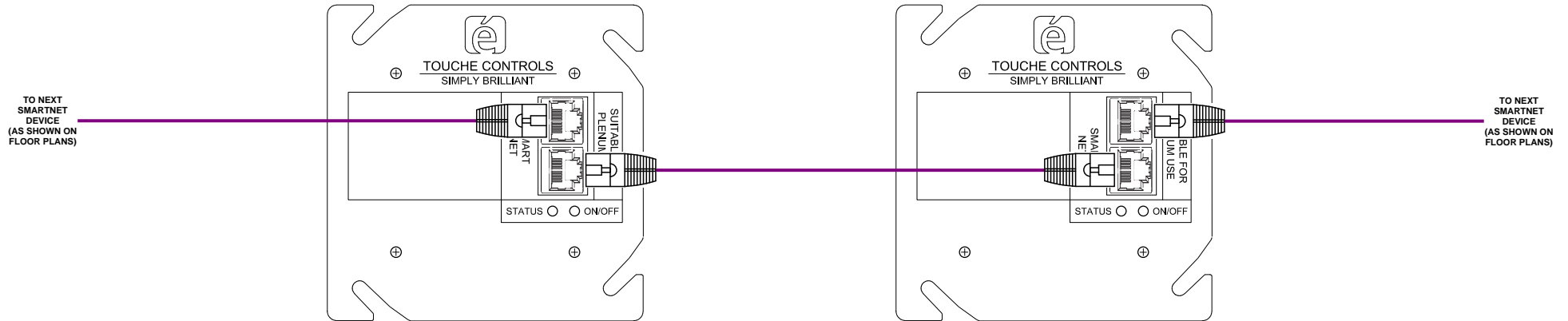
SYMBOLS AS SHOWN
ON SUBMITTAL AND
CONSTRUCTION
DOCUMENTS

MOUNTING





SYMBOLS AS SHOWN
ON SUBMITTAL AND
CONSTRUCTION
DOCUMENTS



LED INDICATION		
LED COLOR	DESCRIPTION	INDICATION MEANING
● GREEN	GREEN	RELAY IS CLOSED WITH LINE VOLTAGE
● BLINK GREEN	BLINKING GREEN	RELAY IS CLOSED WITH NO LINE VOLTAGE
● BLUE	CYAN	RELAY IS OPEN WITH LINE VOLTAGE
● BLINK BLUE	BLINKING CYAN	RELAY IS OPEN WITH NO LINE VOLTAGE

CABLE TYPES			
LINE ID	DESCRIPTION	TYPE	NOTES
— (Purple)	SMART	CAT 5 (MIN)	TOTAL SMARTNET LENGTH NOT TO EXCEED 400'