

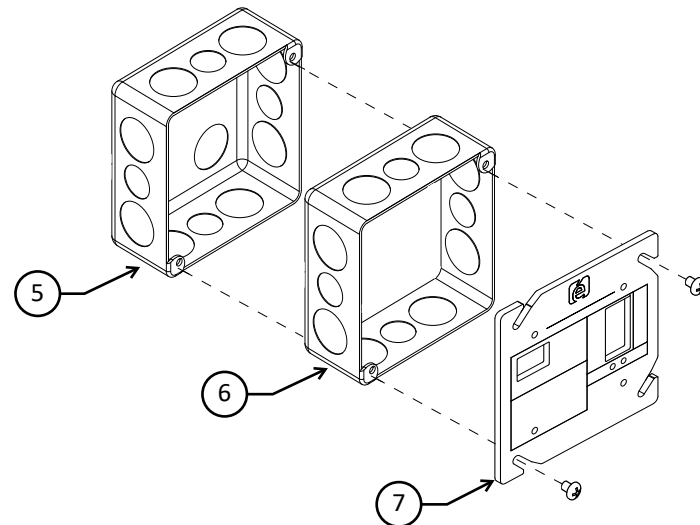
### TIPS / NOTES

1. SMARTNET PORTS - RJ45 CONNECTIONS
2. 0-10V WIRES
3. STATUS LED
4. MANUAL OVERRIDE BUTTON  
PRESS AND RELEASE = TOGGLE RELAY ON/OFF  
PRESS AND HOLD = COMM CHECK (SOLID BLUE STATUS LED = COMM PRESENT WITH RM OR SP)
5. STANDARD 4" SQUARE ELECTRICAL BOX - NOT INCLUDED
6. 1-1/2" EXTENSION RING - PROVIDED WITH SMART LOAD CONTROL MODULE - MUST BE INSTALLED FOR WARRANTY COVERAGE
7. SMART LOAD CONTROL MODULE

**SLC**  
D010

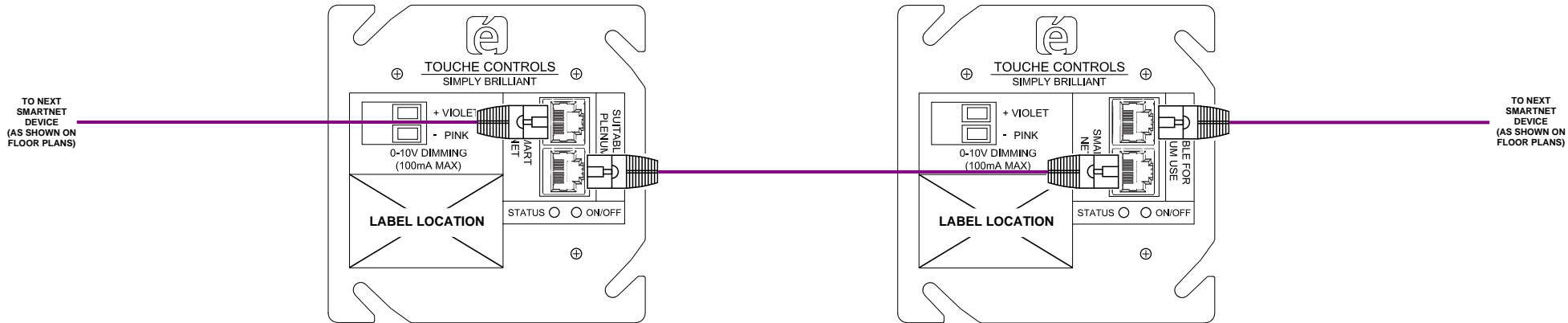
SYMBOLS AS SHOWN  
ON SUBMITTAL AND  
CONSTRUCTION  
DOCUMENTS

### MOUNTING





SYMBOLS AS SHOWN ON SUBMITTAL AND CONSTRUCTION DOCUMENTS



LED INDICATION		
LED COLOR	DESCRIPTION	INDICATION MEANING
	GREEN	RELAY IS CLOSED WITH LINE VOLTAGE
	BLINKING GREEN	RELAY IS CLOSED WITH NO LINE VOLTAGE
	CYAN	RELAY IS OPEN WITH LINE VOLTAGE
	BLINKING CYAN	RELAY IS OPEN WITH NO LINE VOLTAGE

CABLE TYPES			
LINE ID	DESCRIPTION	TYPE	NOTES
	SMART	CAT 5 (MIN)	TOTAL SMARTNET LENGTH NOT TO EXCEED 400'