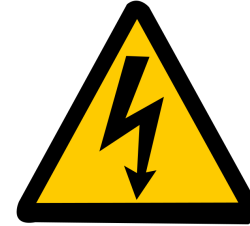


## **IMPORTANT SAFEGUARDS**

1. READ AND FOLLOW ALL SAFETY INSTRUCTIONS.
2. Ensure all connections are per National Electrical Code and local regulations.
3. Do not use outdoors.
4. Do not mount near gas or electric heaters.
5. Equipment should be mounted in locations and at heights where it will not be subjected to tampering by unauthorized personnel.
6. The use of accessory equipment not recommended by the manufacturer may cause an unsafe condition.
7. Do not use equipment for other than intended use.
8. Installation and servicing should be performed by qualified personnel.



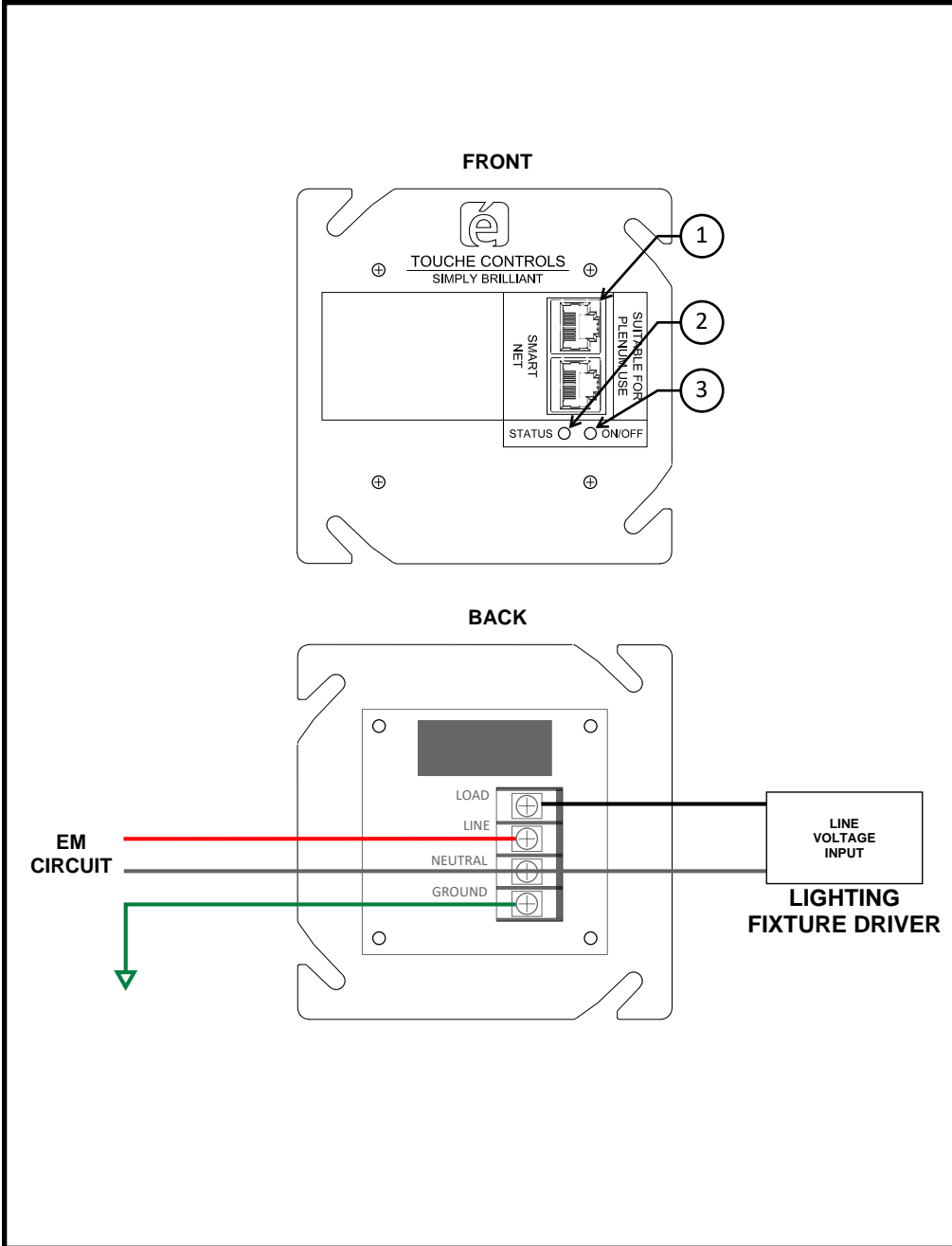
SES  
R

SYMBOLS AS SHOWN  
ON SUBMITTAL AND  
CONSTRUCTION  
DOCUMENTS

## **SAVE THESE INSTRUCTIONS**

### **ELECTRICAL SPECIFICATIONS**

3 AMP RESISTIVE LOAD (120V / 277V)  
3 AMP ELECTRONIC BALLAST LOAD (120V / 277V)  
3 AMP STANDARD BALLAST LOAD (120V / 277V)  
300 WATT TUNGSTEN LOAD (120V)



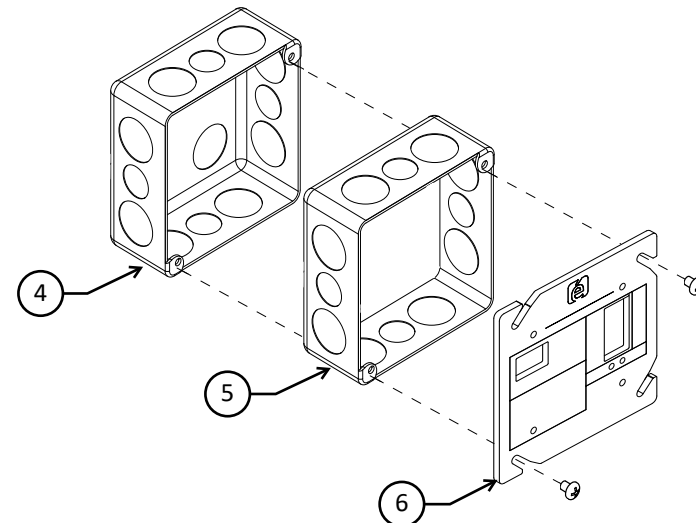
**TIPS / NOTES**



SYMBOLS AS SHOWN  
ON SUBMITTAL AND  
CONSTRUCTION  
DOCUMENTS

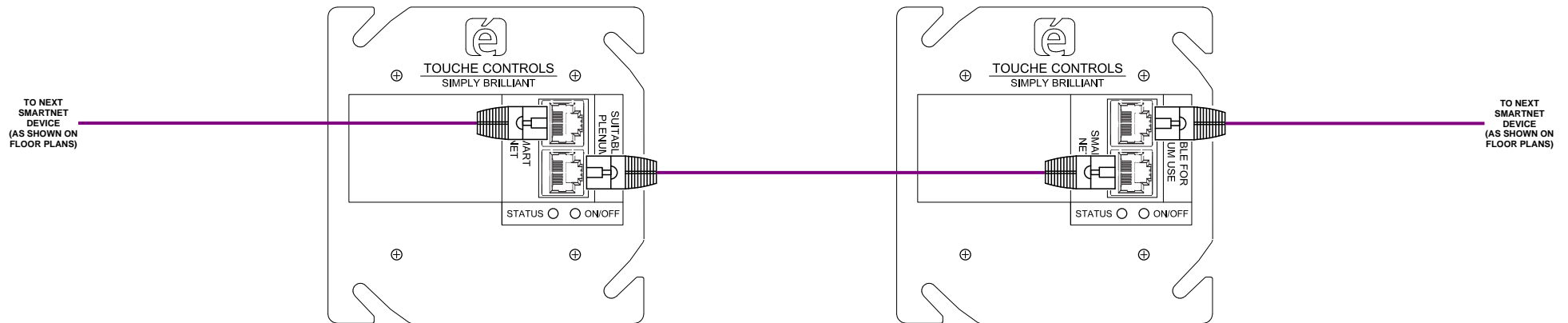
1. SMARTNET PORTS - RJ45 CONNECTIONS
2. STATUS LED
3. MANUAL OVERRIDE BUTTON  
PRESS AND RELEASE = TOGGLE RELAY ON/OFF  
PRESS AND HOLD = COMM CHECK (SOLID BLUE STATUS LED = COMM PRESENT WITH RM)
4. STANDARD 4" SQUARE ELECTRICAL BOX - NOT INCLUDED
5. 1-1/2" EXTENSION RING - PROVIDED WITH SMART EMERGENCY SHUNT - MUST BE INSTALLED FOR WARRANTY COVERAGE
6. SMART EMERGENCY SHUNT

**MOUNTING**





SYMBOLS AS SHOWN  
ON SUBMITTAL AND  
CONSTRUCTION  
DOCUMENTS



LED INDICATION		
LED COLOR	DESCRIPTION	INDICATION MEANING
<span style="color: green;">●</span>	GREEN	RELAY IS CLOSED WITH LINE VOLTAGE
<span style="color: green;">●</span> BLINK	BLINKING GREEN	RELAY IS CLOSED WITH NO LINE VOLTAGE
<span style="color: cyan;">●</span>	CYAN	RELAY IS OPEN WITH LINE VOLTAGE
<span style="color: cyan;">●</span> BLINK	BLINKING CYAN	RELAY IS OPEN WITH NO LINE VOLTAGE

CABLE TYPES			
LINE ID	DESCRIPTION	TYPE	NOTES
<span style="color: purple;">—</span>	SMART	CAT 5 (MIN)	TOTAL SMARTNET LENGTH NOT TO EXCEED 400'



## **TESTING**



SYMBOLS AS SHOWN  
ON SUBMITTAL AND  
CONSTRUCTION  
DOCUMENTS

- ENSURE ROOM MANAGER IS POWERED BY NORMAL POWER SOURCE
- ENSURE SMART EMERGENCY SHUNT MODULE IS CONNECTED TO EMERGENCY POWER SOURCE
  
- NORMAL OPERATION
  - TURN LIGHTS TO ON
    - EMERGENCY AND NORMAL LIGHTS (IF APPLICABLE) WILL TURN ON FULL BRIGHT
  - TURN LIGHTS OFF
    - EMERGENCY AND NORMAL LIGHTS (IF APPLICABLE) WILL TURN OFF
  
- EMERGENCY OPERATION
  - WHEN NORMAL POWER IS LOST TO ROOM MANAGER, THE SMART EMERGENCY SHUNT MODULE WILL AUTOMATICALLY CLOSE THE POWER RELAY TURNING THE LIGHTS ON.
  
- EMERGENCY OPERATION TESTS
  - TEST #1 - TURN OFF NORMAL POWER TO ROOM MANAGER
  - TEST #2 - DISCONNECT SMART NET CABLING TO SMART EMERGENCY SHUNT MODULE

## **MAINTENANCE**

- NO MAINTENANCE IS REQUIRED FOR SMART EMERGENCY SHUNT MODULES
- EMERGENCY OPERATION SHOULD BE TESTED IF LIGHT FIXTURES ARE REPLACED