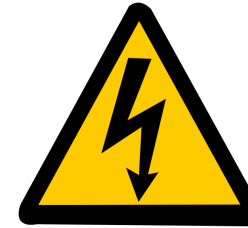


IMPORTANT SAFEGUARDS

1. READ AND FOLLOW ALL SAFETY INSTRUCTIONS.
2. Ensure all connections are per National Electrical Code and local regulations.
3. Do not use outdoors.
4. Do not mount near gas or electric heaters.
5. Equipment should be mounted in locations and at heights where it will not be subjected to tampering by unauthorized personnel.
6. The use of accessory equipment not recommended by the manufacturer may cause an unsafe condition.
7. Do not use equipment for other than intended use.
8. Installation and servicing should be performed by qualified personnel.

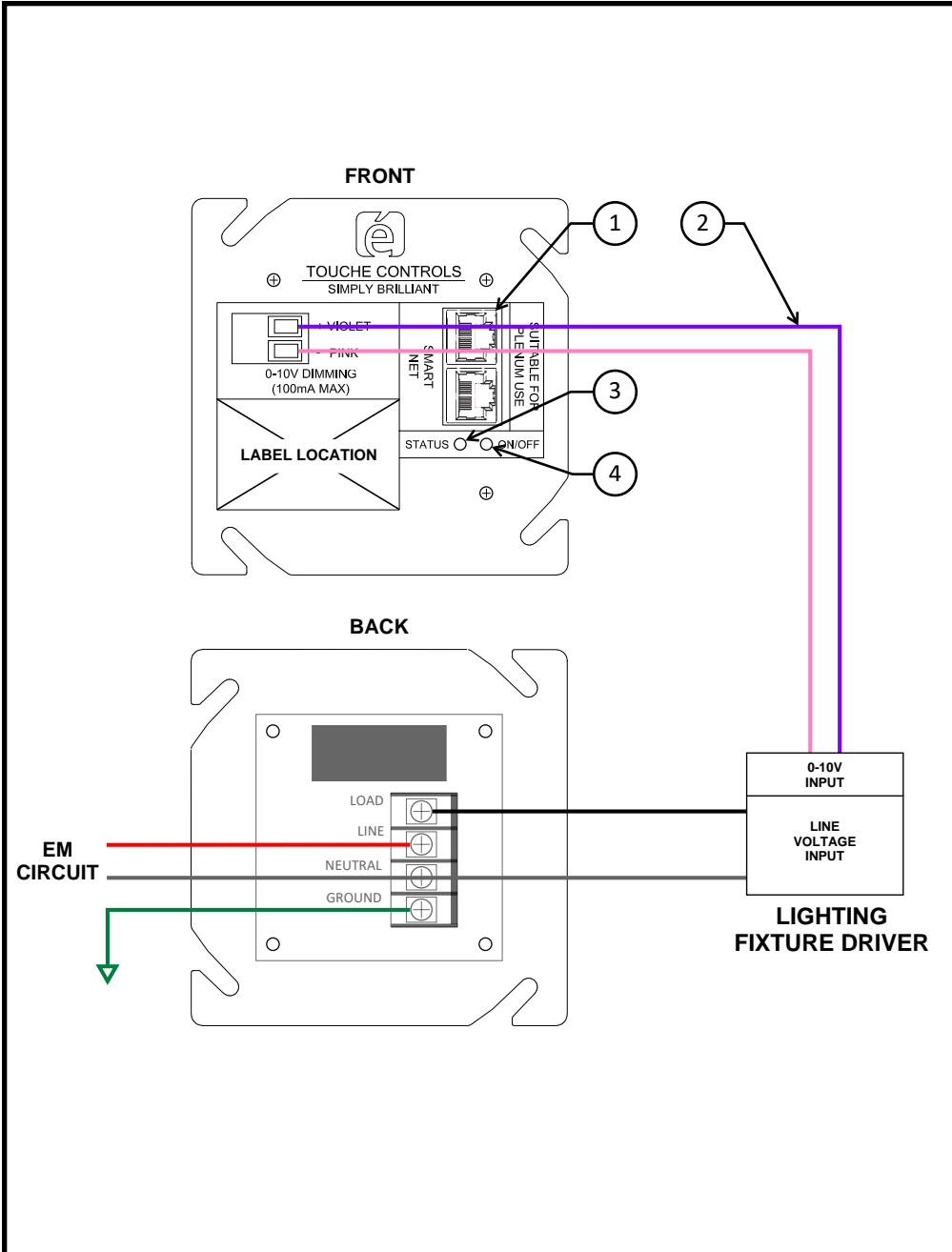


SYMBOLS AS SHOWN
ON SUBMITTAL AND
CONSTRUCTION
DOCUMENTS

SAVE THESE INSTRUCTIONS

ELECTRICAL SPECIFICATIONS

3 AMP RESISTIVE LOAD (120V / 277V)
3 AMP ELECTRONIC BALLAST LOAD (120V / 277V)
3 AMP STANDARD BALLAST LOAD (120V / 277V)
300 WATT TUNGSTEN LOAD (120V)



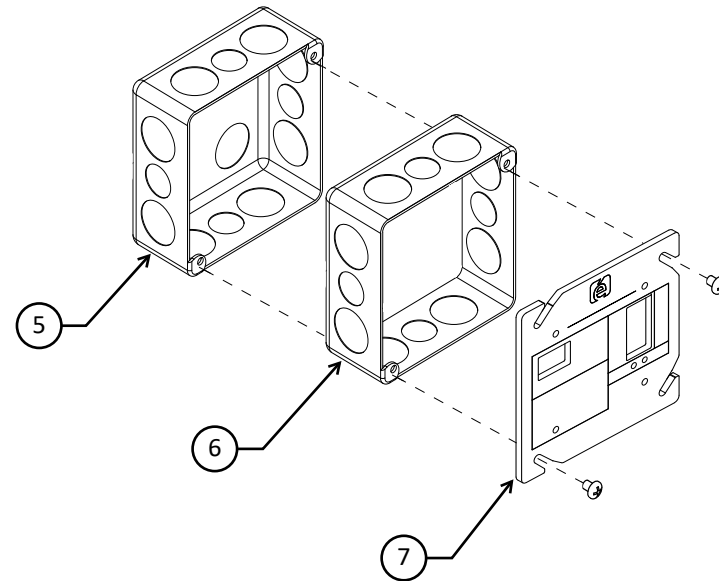
TIPS / NOTES

1. SMARTNET PORTS - RJ45 CONNECTIONS
2. 0-10V WIRES
3. STATUS LED
4. MANUAL OVERRIDE BUTTON
PRESS AND RELEASE = TOGGLE RELAY ON/OFF
PRESS AND HOLD = COMM CHECK (SOLID BLUE STATUS LED = COMM PRESENT WITH RM)
5. STANDARD 4" SQUARE ELECTRICAL BOX - NOT INCLUDED
6. 1-1/2" EXTENSION RING - PROVIDED WITH SMART EMERGENCY SHUNT DIMMER - MUST BE INSTALLED FOR WARRANTY COVERAGE
7. SMART EMERGENCY SHUNT DIMMER



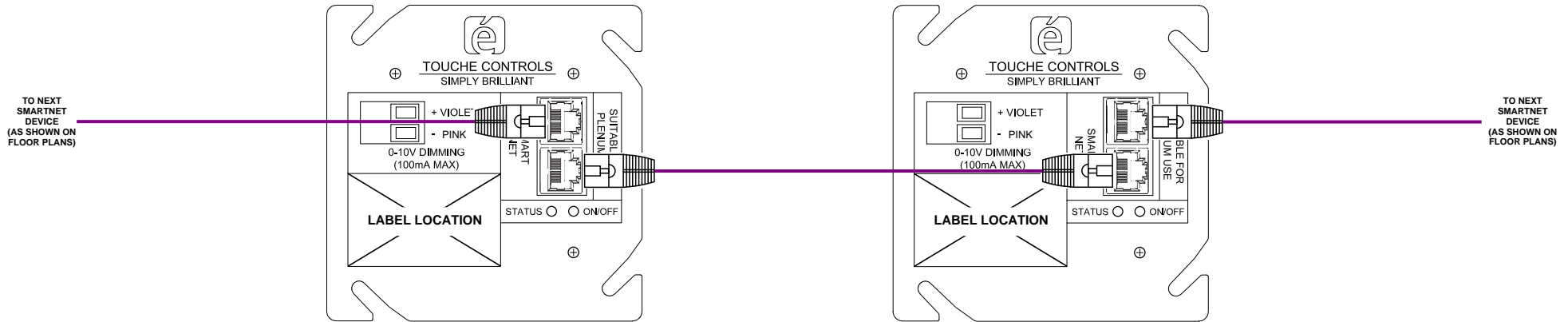
SYMBOLS AS SHOWN ON SUBMITTAL AND CONSTRUCTION DOCUMENTS

MOUNTING





SYMBOLS AS SHOWN
ON SUBMITTAL AND
CONSTRUCTION
DOCUMENTS



LED INDICATION		
LED COLOR	DESCRIPTION	INDICATION MEANING
	GREEN	RELAY IS CLOSED WITH LINE VOLTAGE
	BLINKING GREEN	RELAY IS CLOSED WITH NO LINE VOLTAGE
	CYAN	RELAY IS OPEN WITH LINE VOLTAGE
	BLINKING CYAN	RELAY IS OPEN WITH NO LINE VOLTAGE

CABLE TYPES			
LINE ID	DESCRIPTION	TYPE	NOTES
	SMART	CAT 5 (MIN)	TOTAL SMARTNET LENGTH NOT TO EXCEED 400'

TESTING

- ENSURE ROOM MANAGER IS POWERED BY NORMAL POWER SOURCE
- ENSURE SMART EMERGENCY SHUNT DIMMER MODULE IS CONNECTED TO EMERGENCY POWER SOURCE

- NORMAL OPERATION
 - TURN LIGHTS TO FULL BRIGHT
 - EMERGENCY AND NORMAL LIGHTS (IF APPLICABLE) WILL TURN ON FULL BRIGHT
 - REDUCE LIGHT LEVEL TO 50%
 - EMERGENCY AND NORMAL LIGHTS (IF APPLICABLE) WILL DIM TO 50%
 - TURN LIGHTS OFF
 - EMERGENCY AND NORMAL LIGHTS (IF APPLICABLE) WILL TURN OFF

- EMERGENCY OPERATION
 - WHEN NORMAL POWER IS LOST TO ROOM MANAGER, THE SMART EMERGENCY SHUNT DIMMER MODULE WILL AUTOMATICALLY CLOSE THE POWER RELAY AND OPEN THE 0-10V SIGNAL RELAY TURNING THE LIGHTS ON AND TO FULL BRIGHTNESS.

- EMERGENCY OPERATION TESTS
 - TEST #1 - TURN OFF NORMAL POWER TO ROOM MANAGER
 - TEST #2 - DISCONNECT SMART NET CABLING TO SMART EMERGENCY SHUNT DIMMER MODULE



SYMBOLS AS SHOWN
ON SUBMITTAL AND
CONSTRUCTION
DOCUMENTS

MAINTENANCE

- NO MAINTENANCE IS REQUIRED FOR SMART EMERGENCY SHUNT DIMMER MODULES
- EMERGENCY OPERATION SHOULD BE TESTED IF LIGHT FIXTURES ARE REPLACED