

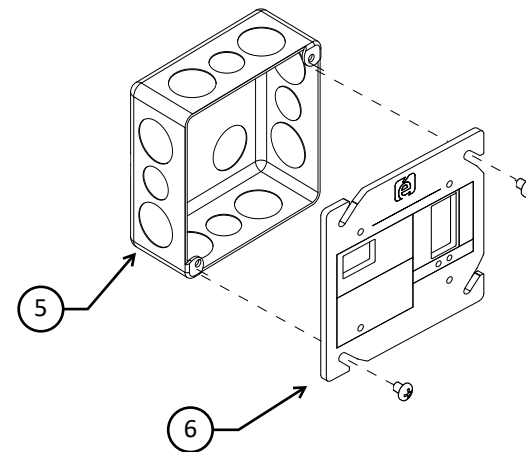
TIPS / NOTES



SYMBOLS AS SHOWN
 ON SUBMITTAL AND
 CONSTRUCTION
 DOCUMENTS

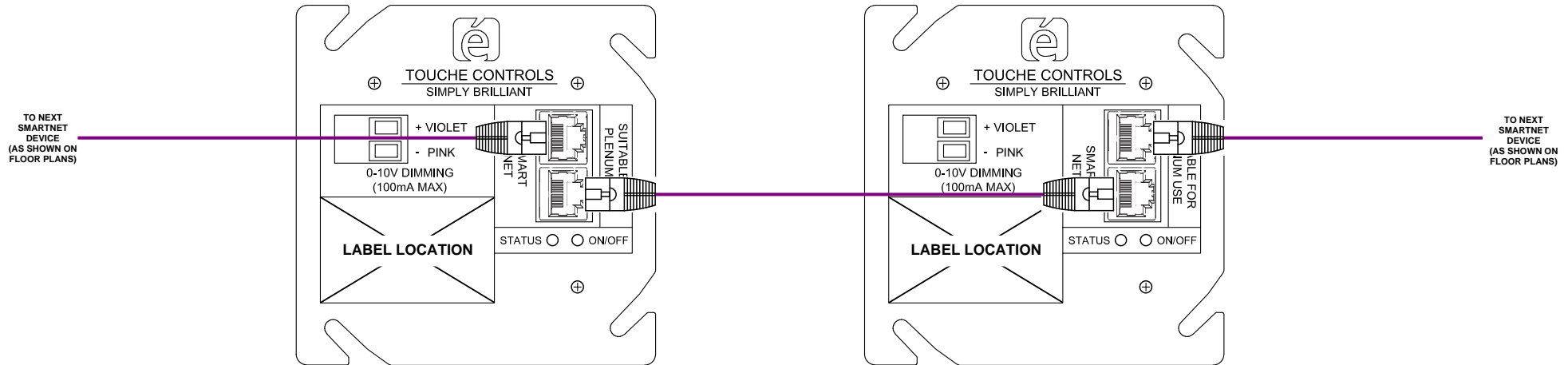
1. SMARTNET PORTS - RJ45 CONNECTIONS
2. STATUS LED
3. MANUAL OVERRIDE BUTTON
 PRESS AND RELEASE = TOGGLE RELAY ON/OFF
 PRESS AND HOLD = COMM CHECK (SOLID BLUE STATUS LED = COMM PRESENT WITH RM)
4. MANUAL ON/OFF BUTTON
5. STANDARD 4" SQUARE ELECTRICAL BOX - NOT INCLUDED
6. SMART CHANNEL CONTROL MODULE

MOUNTING





SYMBOLS AS SHOWN
ON SUBMITTAL AND
CONSTRUCTION
DOCUMENTS



LED INDICATION		
LED COLOR	DESCRIPTION	INDICATION MEANING
	GREEN	RELAY IS CLOSED WITH LINE VOLTAGE
	BLINKING GREEN	RELAY IS CLOSED WITH NO LINE VOLTAGE
	CYAN	RELAY IS OPEN WITH LINE VOLTAGE
	BLINKING CYAN	RELAY IS OPEN WITH NO LINE VOLTAGE

CABLE TYPES			
LINE ID	DESCRIPTION	TYPE	NOTES
	SMART	CAT 5 (MIN)	TOTAL SMARTNET LENGTH NOT TO EXCEED 400'