

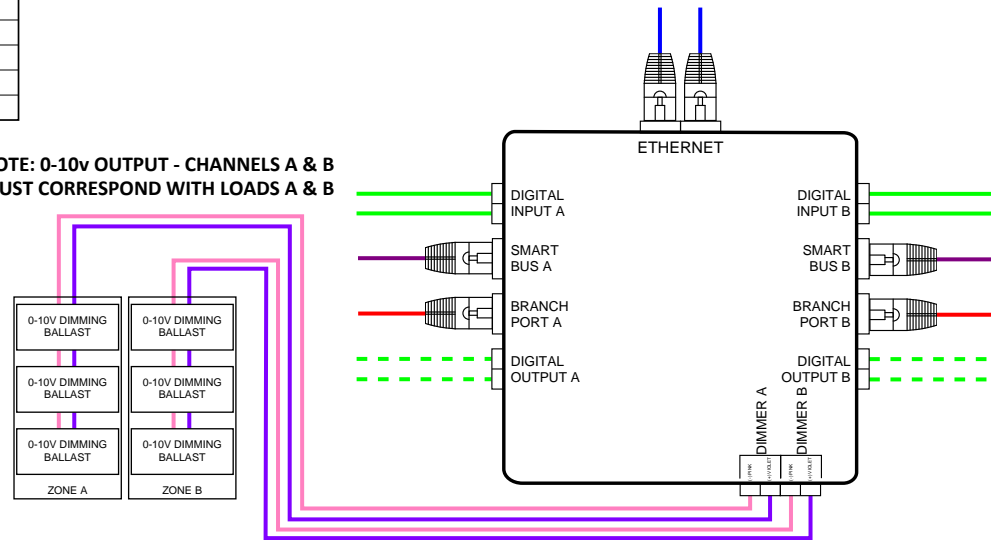
CABLE TYPES			
LINE ID	DESCRIPTION	TYPE	NOTES
	0-10V DIMMING	18 AWG / 2C	0-10V DIMMING WIRES
	LINE / LOAD	XXX	UNSWITCHED HOT / SWITCHED HOT
	NEUTRAL	XXX	NEUTRAL
	GROUND	XXX	GROUND
	DIGITAL INPUT	18 AWG / 2C	18/2 COMMUNICATION WIRE
	DIGITAL OUTPUT	18 AWG / 2C	18/2 COMMUNICATION WIRE

## ROOM MANAGER WIRING

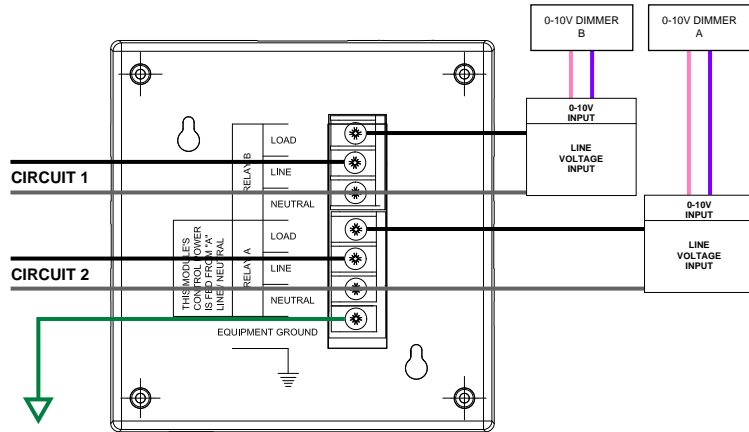


SYMBOLS AS SHOWN ON SUBMITTAL AND CONSTRUCTION DOCUMENTS

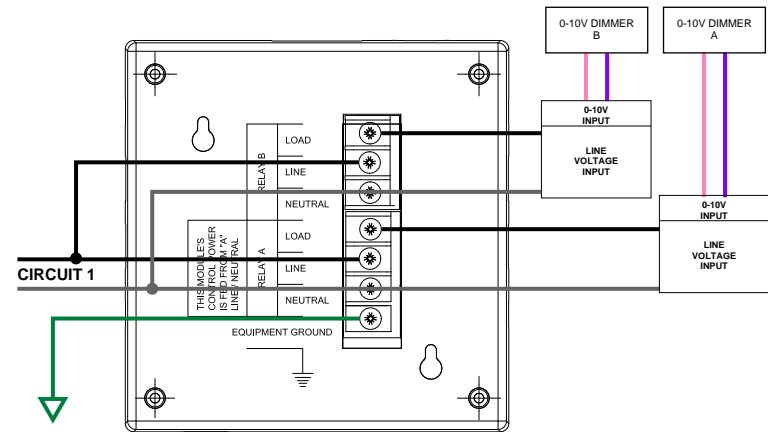
**NOTE: 0-10V OUTPUT - CHANNELS A & B MUST CORRESPOND WITH LOADS A & B**



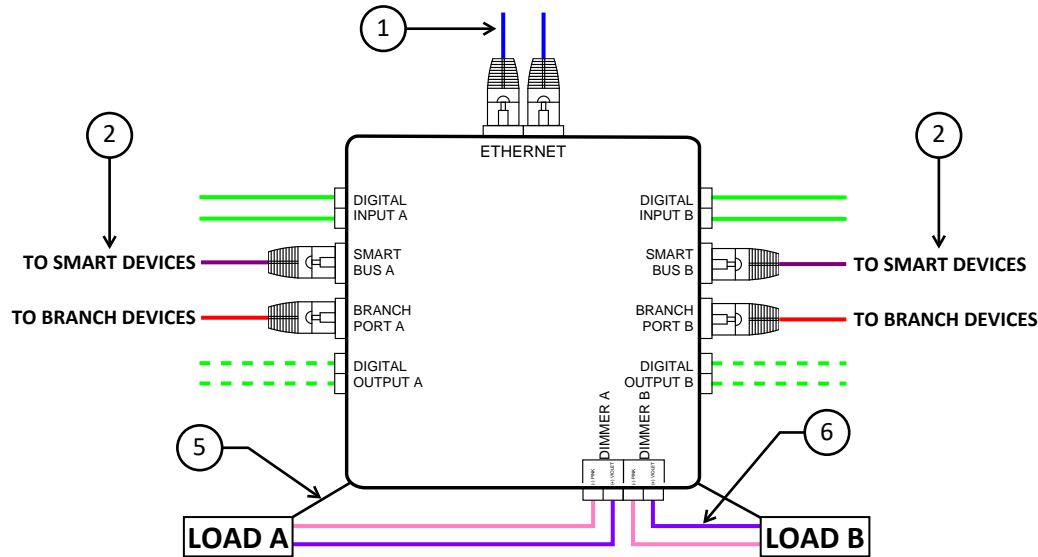
## DUAL SOURCE WIRING



## SINGLE SOURCE WIRING



**SINGLE ROOM WIRING**



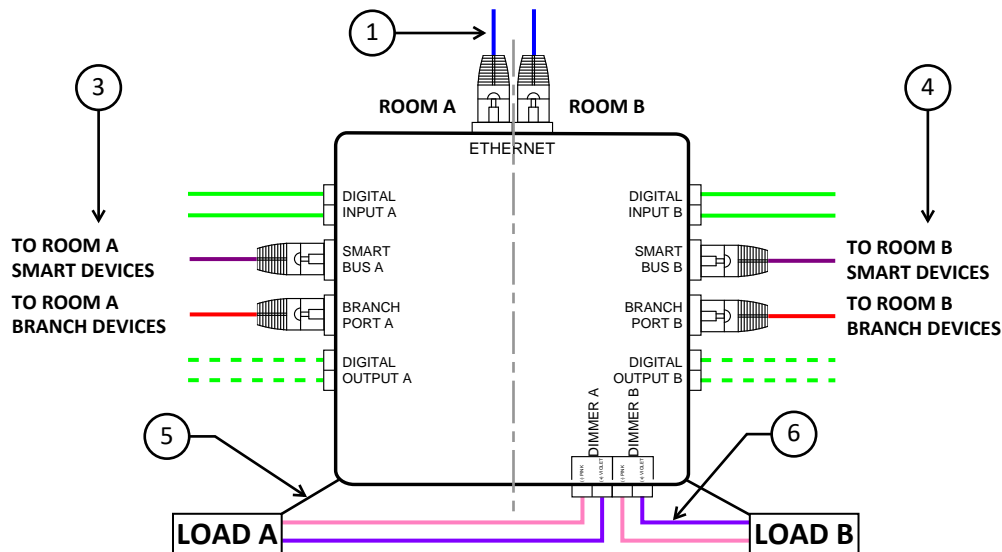
**TIPS / NOTES**



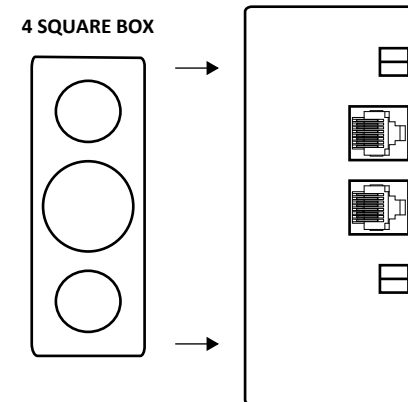
SYMBOLS AS SHOWN  
ON SUBMITTAL AND  
CONSTRUCTION  
DOCUMENTS

1. TOUCHÉ éNET PORTS - MINIMUM CAT 5 CABLE - DAISY CHAIN CABLE FROM éNET DEVICE TO éNET DEVICE
2. WHEN IN SINGLE ROOM MODE ALL DEVICES WILL BE COMBINED TO CONTROL LOADS A AND B. EITHER ROOM A OR ROOM B SMART AND BRANCH PORTS CAN BE USED
3. WHEN IN DUAL ROOM MODE ALL DEVICES THAT ARE TO CONTROL LOAD A MUST BE PLUGGED INTO ROOM A SMART AND BRANCH PORTS
4. WHEN IN DUAL ROOM MODE ALL DEVICES THAT ARE TO CONTROL LOAD B MUST BE PLUGGED INTO ROOM B SMART AND BRANCH PORTS
5. LINE VOLTAGE WIRING - TYPICAL
6. 0-10v WIRING - TYPICAL

**DUAL ROOM WIRING  
1 ZONE PER ROOM**



**MOUNTING  
(SIDE VIEW)**



### ROOM MANAGER LED INDICATION

PART # RM



SYMBOLS AS SHOWN ON SUBMITTAL AND CONSTRUCTION DOCUMENTS

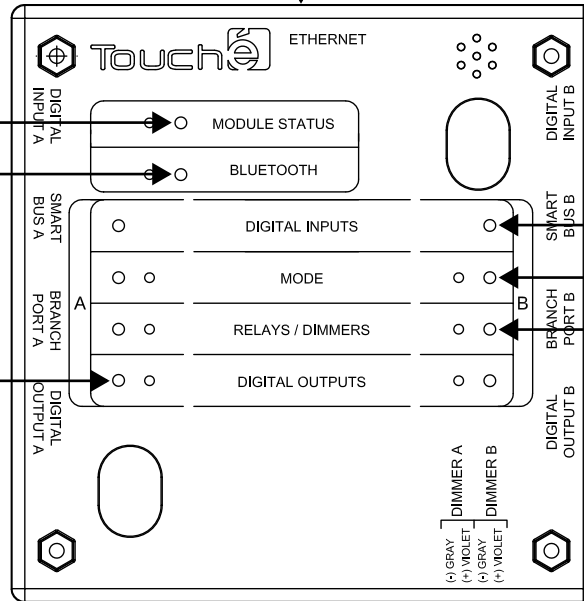
ETHERNET LINK LED INDICATION		
LED COLOR	DESCRIPTION	INDICATION MEANING
	OFF	NO ETHERNET CONNECTION PRESENT
	GREEN / AMBER	ETHERNET CONNECTION PRESENT
	GREEN / BLINKING AMBER	ETHERNET COMMUNICATION PRESENT

MODULE STATUS LED INDICATION		
LED COLOR	DESCRIPTION	INDICATION MEANING
	DARK	NO POWER TO RELAY A LINE TERMINAL
	BLINKING RED	POWERING ON
	GREEN	SINGLE ROOM MODE
	BLUE	DUAL ROOM MODE
	YELLOW	EXTENDED SPACE MODE
	ORANGE	COMMON SPACE MODE
	PINK	PARTITIONABLE SPACE

BLUETOOTH LED INDICATION		
LED COLOR	DESCRIPTION	INDICATION MEANING
	OFF	BLUETOOTH IS TURNED OFF
	BLINKING BLUE	BLUETOOTH NOT CONNECTED, READY FOR CONNECTION
	BLUE	BLUETOOTH CONNECTED

DIGITAL OUTPUT LED INDICATION		
LED COLOR	DESCRIPTION	INDICATION MEANING
	OFF	DIGITAL OUTPUT OPEN
	YELLOW	DIGITAL OUTPUT CLOSED

\*TYPICAL FOR A AND B SIDES



DIGITAL INPUT LED INDICATION		
LED COLOR	DESCRIPTION	INDICATION MEANING
	OFF	DIGITAL INPUT OPEN
	YELLOW	DIGITAL INPUT SHORTED

\*TYPICAL FOR A AND B SIDES

MODE LED INDICATION		
LED COLOR	DESCRIPTION	INDICATION MEANING
	RED	NO AUTOMATIC CONTROL
	GREEN	VACANCY MODE (MANUAL ON, AUTOMATIC OFF)
	BLUE	OCCUPANCY MODE (AUTOMATIC ON, AUTOMATIC OFF)
	PURPLE	TIMED OFF MODE (MANUAL ON, TIMER AUTOMATIC OFF)

LED SHOWS STATE OF ROOM 'B' WHEN ROOM MANAGER IS IN DUAL ROOM MODE. LED IS OFF IN SINGLE ROOM MODE.  
LED STATE OF ROOM MANAGER IN SINGLE ROOM MODE. LED STATE OF ROOM 'A' WHEN ROOM MANAGER IS IN DUAL ROOM MODE.

RELAY / DIMMER LED INDICATION		
LED COLOR	DESCRIPTION	INDICATION MEANING
	RED	RELAY OPEN WITH LINE VOLTAGE CONNECTED TO LINE TERMINAL
	BLINKING RED	RELAY OPEN WITH NO LINE VOLTAGE CONNECTED TO LINE TERMINAL
	GREEN	RELAY CLOSED WITH LINE VOLTAGE CONNECTED TO LINE TERMINAL
	BLINKING GREEN	RELAY CLOSED WITH NO LINE VOLTAGE CONNECTED TO LINE TERMINAL

\*TYPICAL FOR A AND B SIDES

### ROOM MANAGER CONNECTIVITY DIAGRAM

PART # RM



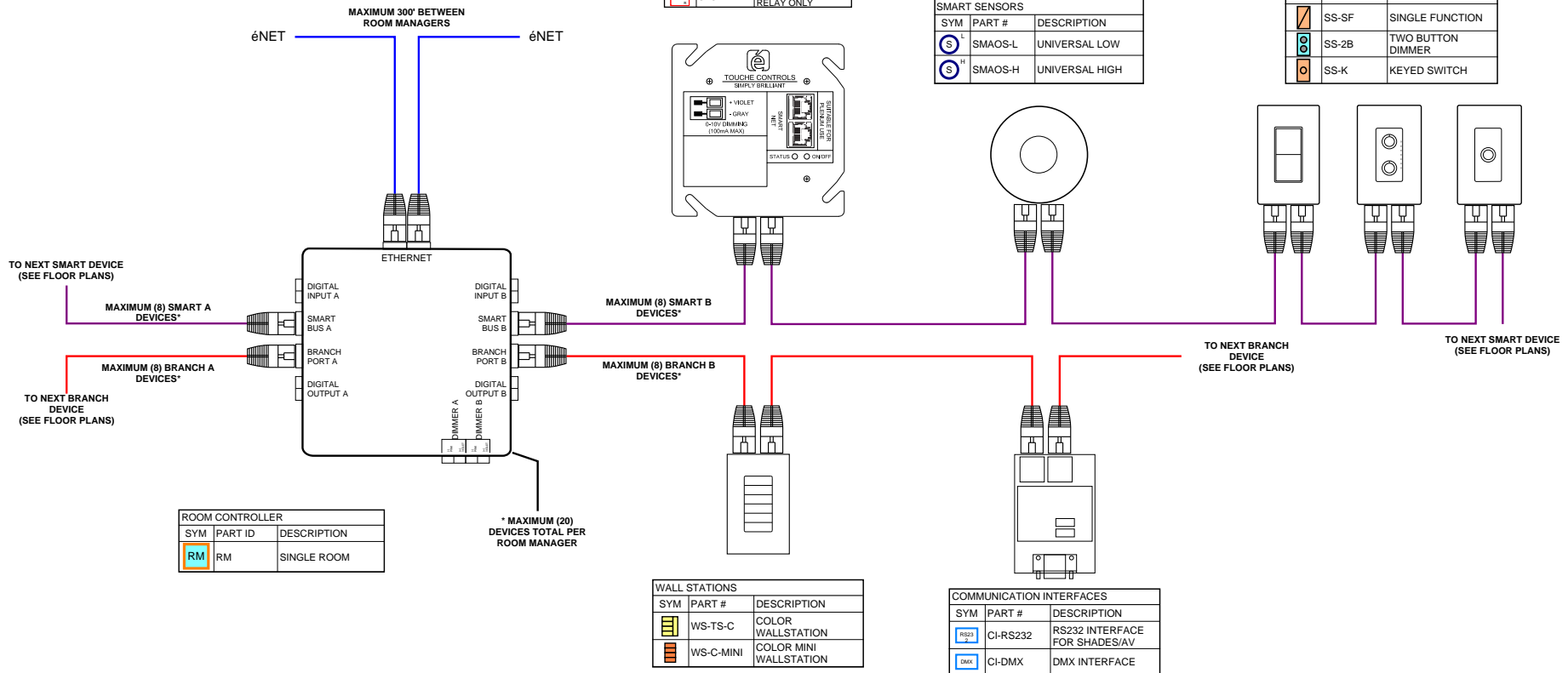
SYMBOLS AS SHOWN ON SUBMITTAL AND CONSTRUCTION DOCUMENTS

THE ROOM MANGER IS ABLE TO CONTROL UP TO 14 SMART EXPANSION MODULES AND UP TO 16 SMART DEVICES TOTAL.

SMART ZONE EXPANSION MODULES		
SYM	PART #	DESCRIPTION
	SLC-D010	ONE CHANNEL 0-10V DIMMING
	SLC-R	ONE CHANNEL RELAY ONLY
	SCC-D010	0-10V DIMMING CHANNEL ONLY
	SES-D010	ONE EM CHANNEL 0-10V DIMMING
	SES-R	ONE EM CHANNEL RELAY ONLY

SMART SENSORS		
SYM	PART #	DESCRIPTION
	SMAOS-L	UNIVERSAL LOW
	SMAOS-H	UNIVERSAL HIGH

SMART SWITCHES		
SYM	PART #	DESCRIPTION
	SS-SF	SINGLE FUNCTION
	SS-2B	TWO BUTTON DIMMER
	SS-K	KEYED SWITCH



ROOM CONTROLLER		
SYM	PART ID	DESCRIPTION
	RM	SINGLE ROOM

WALL STATIONS		
SYM	PART #	DESCRIPTION
	WS-TS-C	COLOR WALLSTATION
	WS-C-MINI	COLOR MINI WALLSTATION

COMMUNICATION INTERFACES		
SYM	PART #	DESCRIPTION
	CI-RS232	RS232 INTERFACE FOR SHADES/AV
	CI-DMX	DMX INTERFACE

CABLE TYPES			
LINE ID	DESCRIPTION	TYPE	NOTES
	ETHERNET	CAT 5 (MIN)	MAXIMUM SEGMENT LENGTH IS 100 METERS (300')
	BRANCH	CAT 5 (MIN)	TOTAL BRANCH LENGTH NOT TO EXCEED 1000'
	SMART	CAT 5 (MIN)	TOTAL SMARTNET LENGTH NOT TO EXCEED 400'