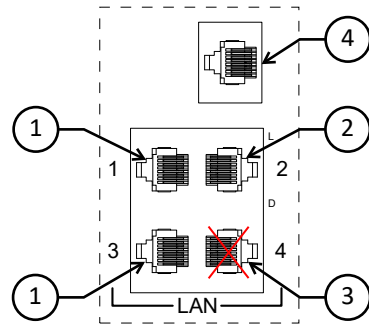
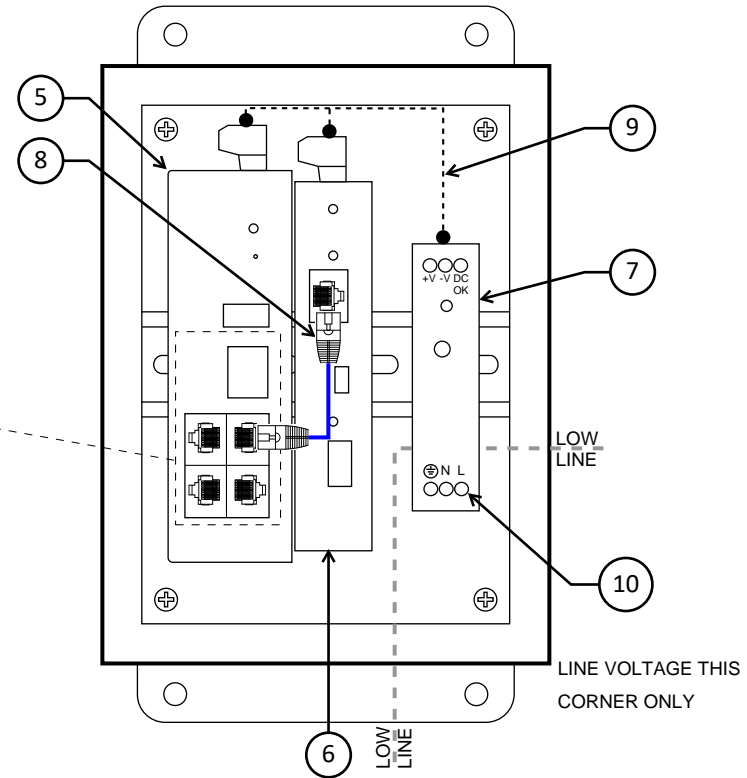


VIEW OF IP ROUTER CONNECTIONS



INSIDE VIEW (COVER REMOVED)



SYMBOLS AS SHOWN
ON SUBMITTAL AND
CONSTRUCTION
DOCUMENTS

TIPS / NOTES

- 1. TO TOUCHÉ éNET - MINIMUM CAT5 CABLE CONNECTION - DO NOT CONNECT TO BRANCH WIRING
- 2. TO BACNET ROUTER - FACTORY INSTALLED CAT5 PATCH CABLE
- 3. LEAVE OPEN
- 4. TO PREMISE IT NETWORK
- 5. IP ROUTER

- 6. BACNET ROUTER
- 7. POWER SUPPLY
- 8. FACTORY INSTALLED CAT5 PATCH CABLE
- 9. FACTORY INSTALLED LOW VOLTAGE WIRING
- 10. CONNECTION FOR 120VAC ONLY

ETHERNET ROUTER, BACNET/IP CONNECTIVITY DIAGRAM

PART # ER-B-10/100-120

