

PRODUCT DATA SHEET

TOUCHÉ CONTROLS



TIMER SWITCH



DESCRIPTION

Programmable Time Switches provide stand-alone control of small, low-use areas (electrical closets, mechanical rooms, utility closets, etc.) where automatic off control is desired. Time switches are used in rooms with obstructions within the controlled area that may mask detection by an occupancy sensor.

FEATURES

- These switches are low cost alternatives for areas that do not require integration with the rest of the lighting control system.
- These switches include two presets for energy code compliance:
 - Two Hour - Meets Title 24 and IECC
 - Four Hour - Meets ASHRAE 90.1
- Each switch includes a timed override button, allowing the lights to remain on for a specified amount of time. This feature is especially useful for after-hours cleaning crews.
- Controls all standard lighting loads including incandescent, CFL, and LED.
- Switches fit into standard single-gang electrical junction box configurations (4" sq. box with plaster ring or masonry box).
- The required faceplate (not included) is a standard Decora® wall-plate.

Touché Controls (a Product of ESI Ventures)

A: 2085 Humphrey Street, Fort Wayne, IN 46803

T: 888-841-4356

W: ToucheControls.com

Doc: Rev0-8-20

SPECIFICATIONS

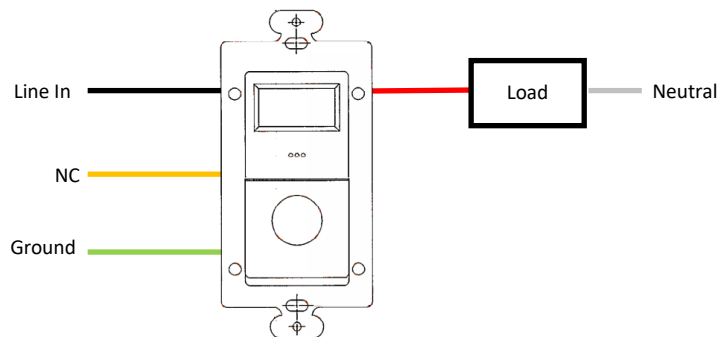
VOLTAGE	120/277VAC AUTO-SENSING
LISTINGS	UL, cUL
AMBIENT TEMPERATURE	50C (122F)
MAXIMUM HUMIDITY	10 - 90%, NON-CONDENSING

CATALOGUE NUMBER

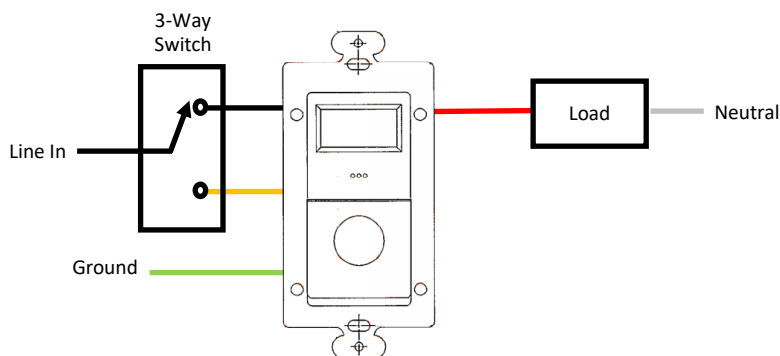
DEVICE TYPE	STYLE	COLOR	SERIES
SW Switch	TIM Programmable Timer	WHT White	S2 Series 2

CONNECTIVITY

FUNCTION



STAND-ALONE TIMER SWITCH



STAND-ALONE TIMER SWITCH
WITH 3-WAY SWITCH

Touché Controls (a Product of ESI Ventures)

A: 2085 Humphrey Street, Fort Wayne, IN 46803 **T:** 888-841-4356

W: ToucheControls.com

Doc: Rev0-8-20