

# PRODUCT DATA SHEET

TOUCHÉ CONTROLS



## SMART SWITCH—DECORATOR STYLE

SS-DEC



SS-DEC  
(SHOWN IN WHITE)



TOUCHÉ WEBSITE

INSIGHT APP

### DESCRIPTION

Inspired by the flexibility and functionality of the Touché Smart Two Button, this switch adds a modern flare to the robustness found in its predecessor. With on/off/raise/lower functionality, LEDs to indicate current lighting level, and a sleek appearance the SS-DEC is Touché's most desirable switch yet. Smart Decorator Switches communicate on the Touché SmartNet, making them incredibly simple to program.

### FEATURES

Featuring a momentary toggle switch for on/off control. The SS-DEC is also capable of raise/lower through a press-and-hold action on the top (raise) or bottom (lower) region of the switch. LED indicators provide visual indication of the area's current light level.

Allows for end user to adjust and save lighting levels at the switch level.

Switches fit into a standard 1-gang electrical junction box (4" square box with plaster ring or masonry box). Ganging of multiple switches can be done without the need for special rough-in considerations.

### COLOR OPTIONS



WHITE

LGT ALMOND

IVORY

GRAY

BLACK

PROJECT NAME/ID

NOTES

Touché Controls (a product of ESI Ventures)

📍 2085 Humphrey St, Fort Wayne, IN 46803

📞 888-841-4356

🌐 touchecontrols.com

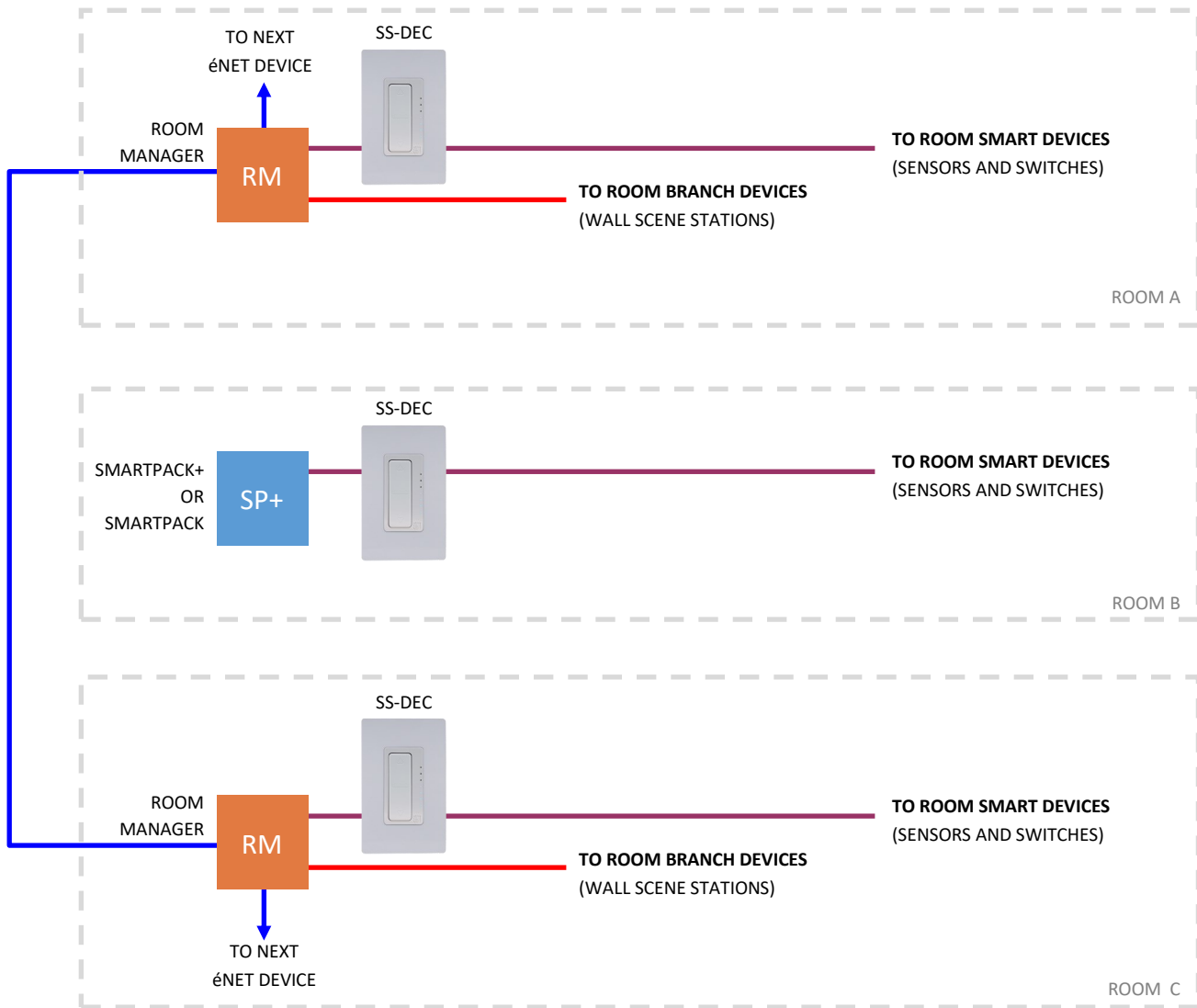
🕒 08-24

## ORDER INFORMATION

DEVICE TYPE	CONFIGURATION	COLOR
SS = SMART SWITCH	DEC = DECORATOR	<b>WHT</b> = WHITE <b>LA</b> = LIGHT ALMOND <b>IV</b> = IVORY <b>GRY</b> = GRAY <b>BLK</b> = BLACK

All Touché products are subject to a standard, 5-year warranty. For exact terms, refer to Touché Warranty Statement.

## EXAMPLE CONNECTIVITY



Touché Controls (a product of ESI Ventures)

📍 2085 Humphrey St, Fort Wayne, IN 46803

📞 888-841-4356

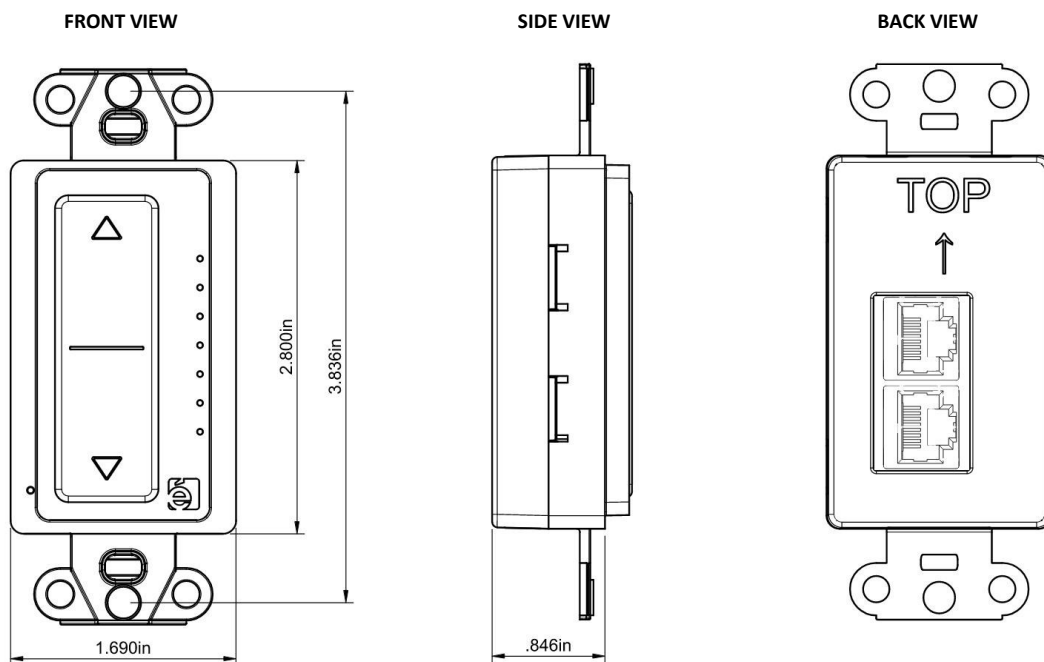
🌐 [touchecontrols.com](http://touchecontrols.com)

🕒 08-24

## SPECIFICATIONS

TYPE	DESCRIPTION
POWER SUPPLY VOLTAGE	24VDC—SOURCED FROM SMARTNET (NO EXTERNAL POWER SUPPLY REQUIRED)
CONNECTIVITY	CAT5 (MINIMUM)
LISTINGS	UL916, cUL916
AMBIENT TEMPERATURE	60C (140F)
MAXIMUM HUMIDITY	10—90% NON-CONDENSING

## DIMENSIONS



Touché Controls (a product of ESI Ventures)

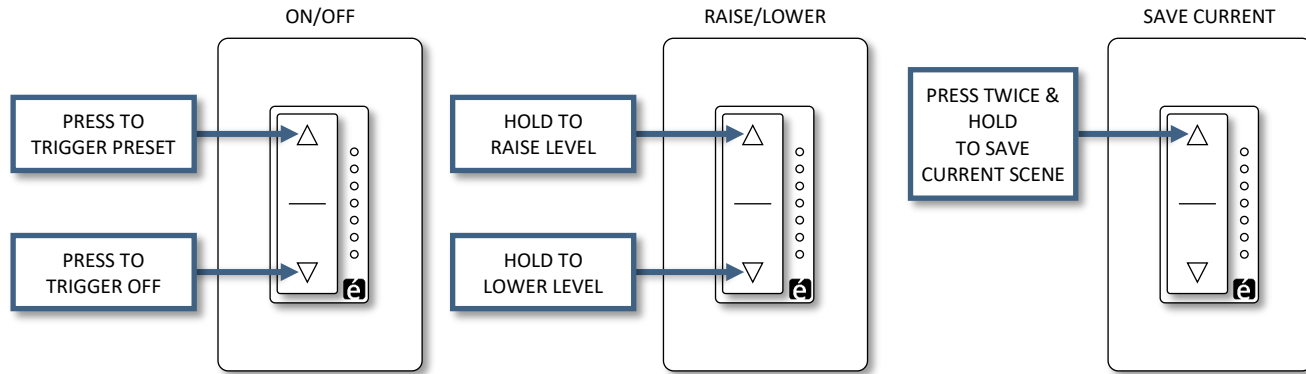
📍 2085 Humphrey St, Fort Wayne, IN 46803

☎ 888-841-4356

🌐 [touchecontrols.com](http://touchecontrols.com)

🕒 08-24

## HOW TO USE



## LED INDICATIONS

