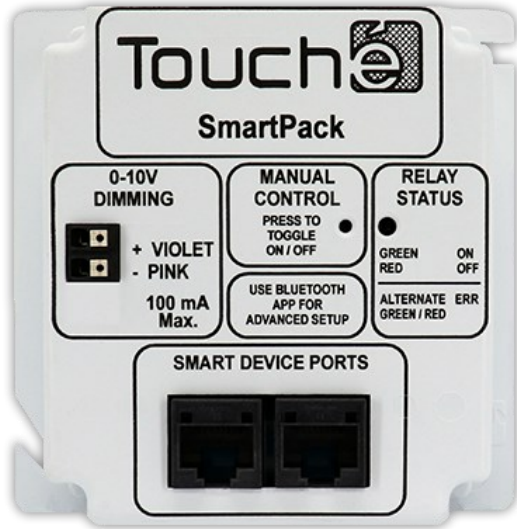


PRODUCT DATA SHEET

TOUCHÉ CONTROLS



SMARTPACK

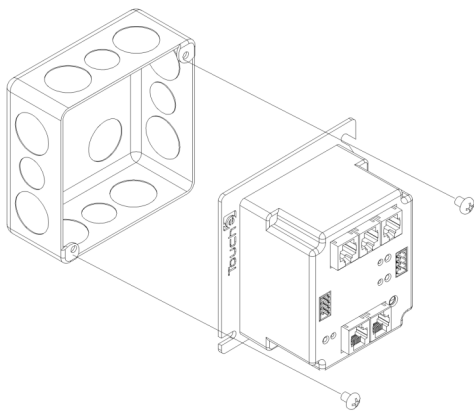


DESCRIPTION

SmartPacks are the easiest-to-install, most cost-effective, low-voltage room controller available. SmartPacks control a single zone of relay and/or 0-10V dimming. Bluetooth® connectivity is standard, allowing the SmartPack to be configured from Touché's intuitive and free phone app (common with Touché's room manager platform). Each module is self-addressing and does not require any setup or configuration for default control—simply connect the SmartPack to the desired smart sensors and smart switches and it is ready to go.

FEATURES

- SmartPacks are single-room, single-zone, stand-alone controllers.
- Standard CAT5 patch cables are used to interconnect this module to smart sensors and smart switches. Up to (10) smart devices can be connected to this module. All sensors and switches auto-synchronize when connected.
- SmartPacks include a latching (mechanically held) single pole relay. The relay is a 50A relay de-rated to 16A (80% of NEC required 20A circuit) and auto-sensing for 120 or 277VAC control. Each module incorporates the latest in “zero-cross” switching technology for improved equipment life.
- SmartPacks come standard with a 0-10V dimming channel that is capable of sinking or sourcing a 0-10V, 100 mA of dimming driver load.
- Modules can be mounted in plenum ceiling spaces and are UL2043 listed.
- Modules mount to a standard 4” x 4” electrical junction box for easy installation.



MOUNTS TO STANDARD 4”x4”
ELECTRICAL JUNCTION BOX
(JUNCTION BOX NOT INCLUDED)

FREE CONFIGURATION APP
AVAILABLE AT APPLE APP STORE OR
GOOGLE PLAY



Touché Controls (a Product of ESI Ventures)

A: 2085 Humphrey Street, Fort Wayne, IN 46803

T: 888-841-4356

W: ToucheControls.com

Doc: Rev1-1-22

SPECIFICATIONS

VOLTAGE	120-277VAC AUTO-SENSING
CAPACITY	LED, BALLAST-ELECTRONIC, BALLAST-MAGNETIC, HID, INCANDESCENT : 16A
CONNECTIVITY	CAT5 (MINIMUM)
LISTINGS	UL916, cUL916, UL2043, S-142
AMBIENT TEMPERATURE	40C (104F)
MAXIMUM HUMIDITY	10 - 90%, NON-CONDENSING
ENCLOSURE	WHITE UL2043 (S-142) PLENUM RATED THERMOPLASTIC

CATALOGUE NUMBER

DEVICE TYPE

SP Smart Pack

PLUG-AND-PLAY READY. SIMPLY
CONNECT THE FIELD DEVICES AND THE
SYSTEM IS READY TO OPERATE

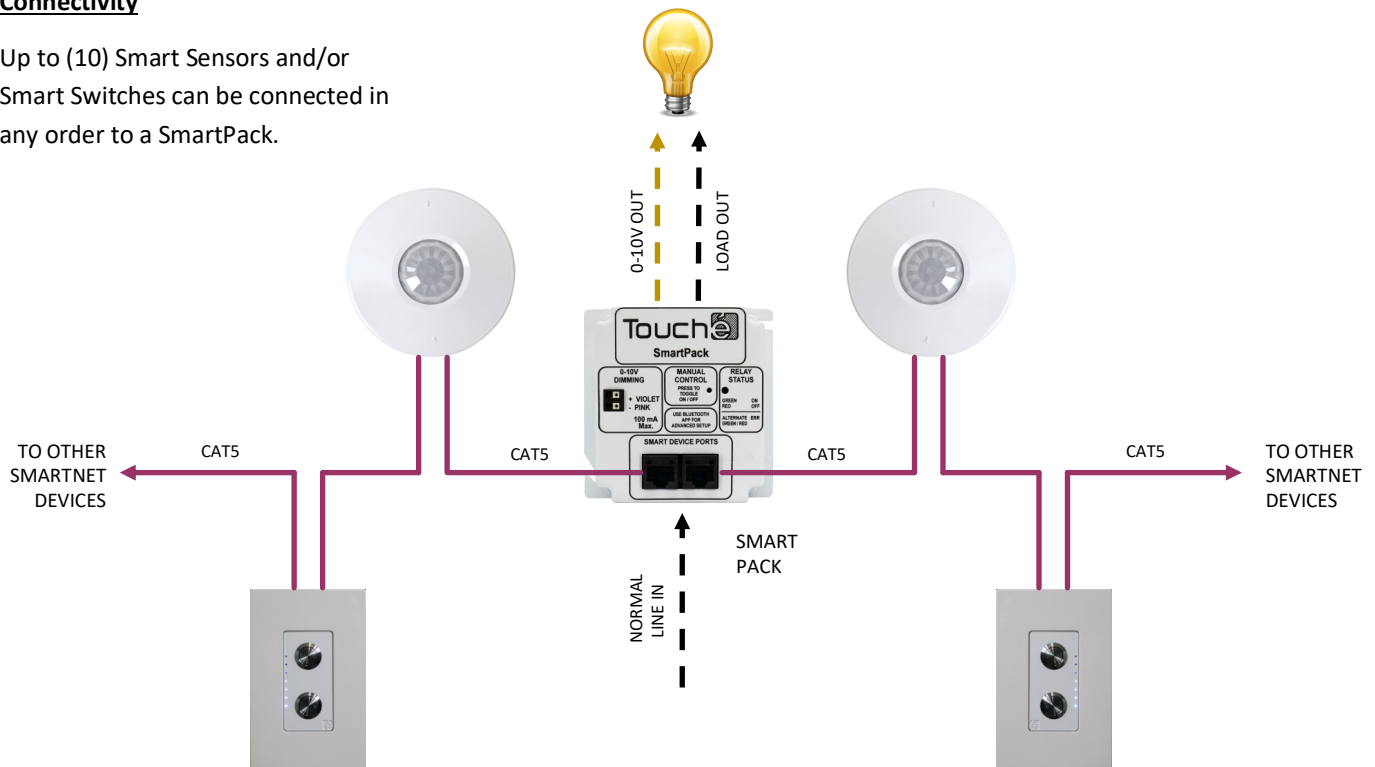
BLUETOOTH® ENABLED AS STANDARD FOR
INTERFACING WITH FREE iOS AND
ANDROID CONFIGURATION APP



CONNECTIVITY

Connectivity

Up to (10) Smart Sensors and/or
Smart Switches can be connected in
any order to a SmartPack.



Touché Controls (a Product of ESI Ventures)

A: 2085 Humphrey Street, Fort Wayne, IN 46803 **T:** 888-841-4356

W: ToucheControls.com

Doc: Rev1-1-22