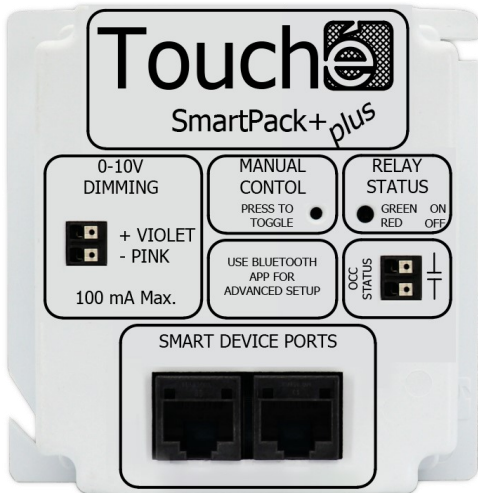


# PRODUCT DATA SHEET

TOUCHÉ CONTROLS



## SMARTPACK—PLUS

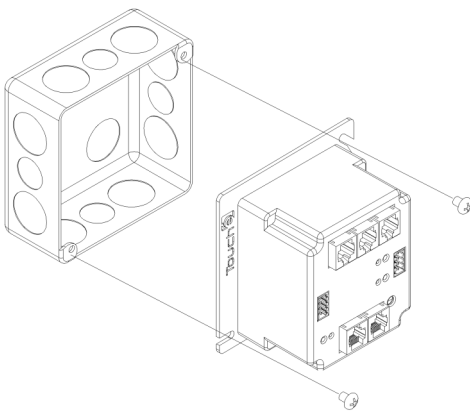


### DESCRIPTION

SmartPack-Plus' are the easiest-to-install, most cost-effective, low-voltage, multi-zone room controller available. This controller is capable of independently controlling up to four zones (six channels) of relay and/or 0-10V dimming with the addition of our color-mini wall station (WS-C-MINI). Bluetooth® connectivity is standard, allowing the SmartPack-Plus to be configured from Touché's intuitive and free phone app (common with all of Touché's room controllers). Each module is self-addressing and does not require any setup or configuration for default control—simply connect the SmartPack-Plus to the desired smart sensors, smart switches, and expansion modules and it is ready to go.

### FEATURES

- SmartPack-Plus' are single-room, multi-zone, stand-alone controllers.
- Standard CAT5 patch cables are used to interconnect this module to smart sensors, smart switches, and expansion modules. Up to (15) smart devices can be connected to this module. All connected smart devices auto-synchronize when connected.
- SmartPack-Plus' include a latching (mechanically held) single pole relay. The relay is a 50A relay de-rated to 16A (80% of NEC required 20A circuit) and auto-sensing for 120 or 277VAC control. Each module incorporates the latest in "zero-cross" switching technology for improved equipment life.
- SmartPack-Plus' come standard with a 0-10V dimming channel that is capable of sinking or sourcing a 0-10V, 100 mA of dimming driver load.
- Modules can be mounted in plenum ceiling spaces and are UL2043 listed.
- Each module includes a dry contact, relay output that duplicates the occupancy state of the controlled room.
- Modules mount to a standard 4" x 4" electrical junction box for easy installation.



MOUNTS TO STANDARD 4"x4"  
ELECTRICAL JUNCTION BOX  
(JUNCTION BOX NOT INCLUDED)

FREE CONFIGURATION APP  
AVAILABLE AT APPLE APP STORE OR  
GOOGLE PLAY



Touché Controls (a Product of ESI Ventures)

A: 2085 Humphrey Street, Fort Wayne, IN 46803

T: 888-841-4356

W: [ToucheControls.com](http://ToucheControls.com)

Doc: Rev1-8-23

## SPECIFICATIONS

VOLTAGE	120-277VAC AUTO-SENSING
CAPACITY	LED, BALLAST-ELECTRONIC, BALLAST-MAGNETIC, HID, INCANDESCENT : 16A
CONNECTIVITY	CAT5 (MINIMUM)
LISTINGS	UL916, cUL916, UL2043, S-142
AMBIENT TEMPERATURE	40C (104F)
MAXIMUM HUMIDITY	10 - 90%, NON-CONDENSING
ENCLOSURE	WHITE UL2043 (S-142) PLENUM RATED THERMOPLASTIC

### CATALOGUE NUMBER

PART #	DESCRIPTION
--------	-------------

<b>SP-PLUS</b>	4-Zone Smart Pack w/ Occ Repeater
----------------	-----------------------------------

PLUG-AND-PLAY READY. SIMPLY  
CONNECT THE FIELD DEVICES AND THE  
SYSTEM IS READY TO OPERATE

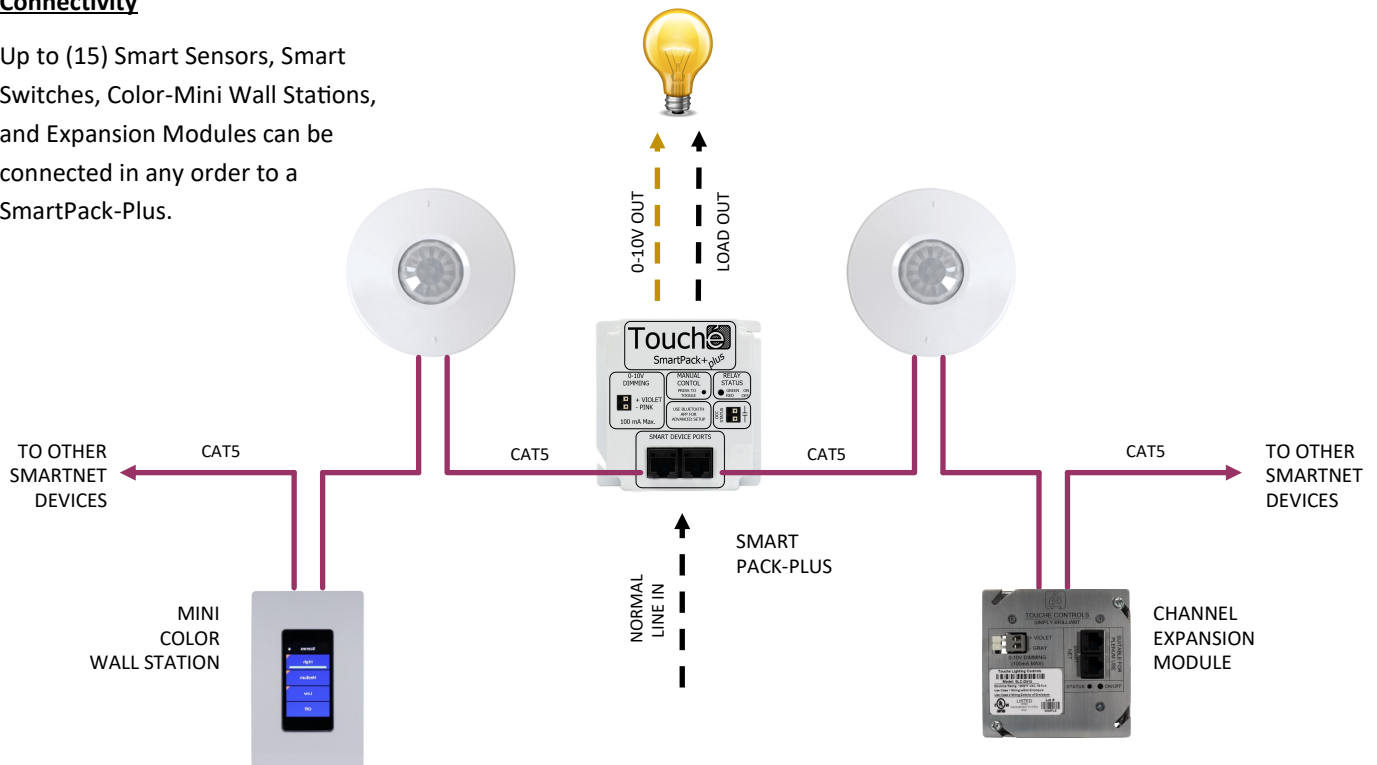
BLUETOOTH® ENABLED AS STANDARD FOR  
INTERFACING WITH FREE iOS AND  
ANDROID CONFIGURATION APP



## CONNECTIVITY

### Connectivity

Up to (15) Smart Sensors, Smart Switches, Color-Mini Wall Stations, and Expansion Modules can be connected in any order to a SmartPack-Plus.



**Touché Controls (a Product of ESI Ventures)**

**A:** 2085 Humphrey Street, Fort Wayne, IN 46803 **T:** 888-841-4356

**W:** [ToucheControls.com](http://ToucheControls.com)

**Doc:** Rev1-8-23