

PRODUCT DATA SHEET

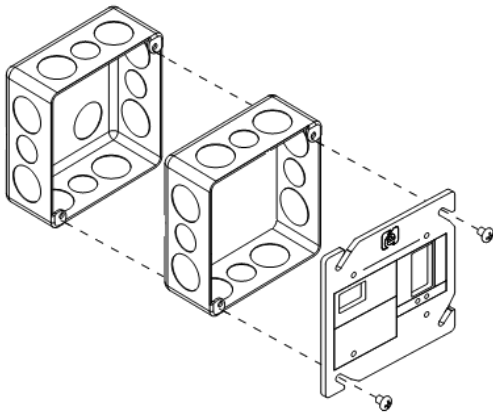
TOUCHÉ CONTROLS



SMART EMERGENCY SHUNT MODULE



SHOWN WITH OPTIONAL
0-10V DIMMING



MOUNTS TO STANDARD 4"X4"
ELECTRICAL JUNCTION BOX
(EXTENSION RING INCLUDED—JUNCTION BOX NOT
INCLUDED)

DESCRIPTION

Smart Emergency Shunt Control Modules expand the number of load control zones available to a Room Manager. In addition, they are UL924 listed emergency shunt control modules that automatically turn on the connected load when the normal source is lost at the connected Room Manager. Modules are available in relay only or 0-10V dimming control. Each module is self-addressing and does not require any setup or configuration for default control—simply plug the module into a Room Manager and the module is ready to operate.

FEATURES

- Smart Emergency Shunt Control Modules are connected to and controlled by a Room Manager. Standard CAT5 patch cables interconnect these modules in a daisy-chained configuration. Up to four modules can be connected to each Room Manager.
- Smart Emergency Shunt Control Modules include a normally closed single pole relay. The relay is a 10A relay de-rated to 3A, and auto-sensing for 120 or 277VAC control. Each module incorporates the latest in “zero-cross” switching technology for improved equipment life.
- Smart Emergency Shunt Control Modules are available in two variants: relay only or relay plus 0-10V dimming. The dimming variant is capable of 0-10V sinking or sourcing dimming with up to 100 mA of dimming control. The 0-10V dimming variant incorporates a normally-closed relay that automatically opens upon loss of the source voltage to the connected Room Manager.
- Similar to the Smart Load Control Modules, these modules can independently control the connected load but the emergency shunt feature will force all connected modules to turn on at 100% upon loss of the source voltage at the Room Manager.
- Modules can be mounted in plenum ceiling spaces.
- Modules mount to a standard 4" x 4" electrical junction box and include an extension ring for simple installation.
- Modules are both UL916 and UL924 Listed to simplify specification and installation.

Touché Controls (a Product of ESI Ventures)

A: 2085 Humphrey Street, Fort Wayne, IN 46803

T: 888-841-4356

W: ToucheControls.com

Doc: Rev1-1-22

SPECIFICATIONS

VOLTAGE	24VDC — SOURCED FROM SMARTNET (CAT5 CABLE) (NO EXTERNAL POWER SUPPLY REQUIRED)
CAPACITY	LIGHTING: LED, BALLAST-ELECTRONIC, BALLAST-MAGNETIC, HID, INCANDESCENT: 3A
CONNECTIVITY	CAT5 (MINIMUM)
LISTINGS	UL916, cUL916, UL924, cUL924
AMBIENT TEMPERATURE	50C (122F)
MAXIMUM HUMIDITY	10 - 90%, NON-CONDENSING
ENCLOSURE	MOUNTS TO A STANDARD 4"X4" ELECTRICAL JUNCTION BOX (EXTENSION RING INCLUDED)

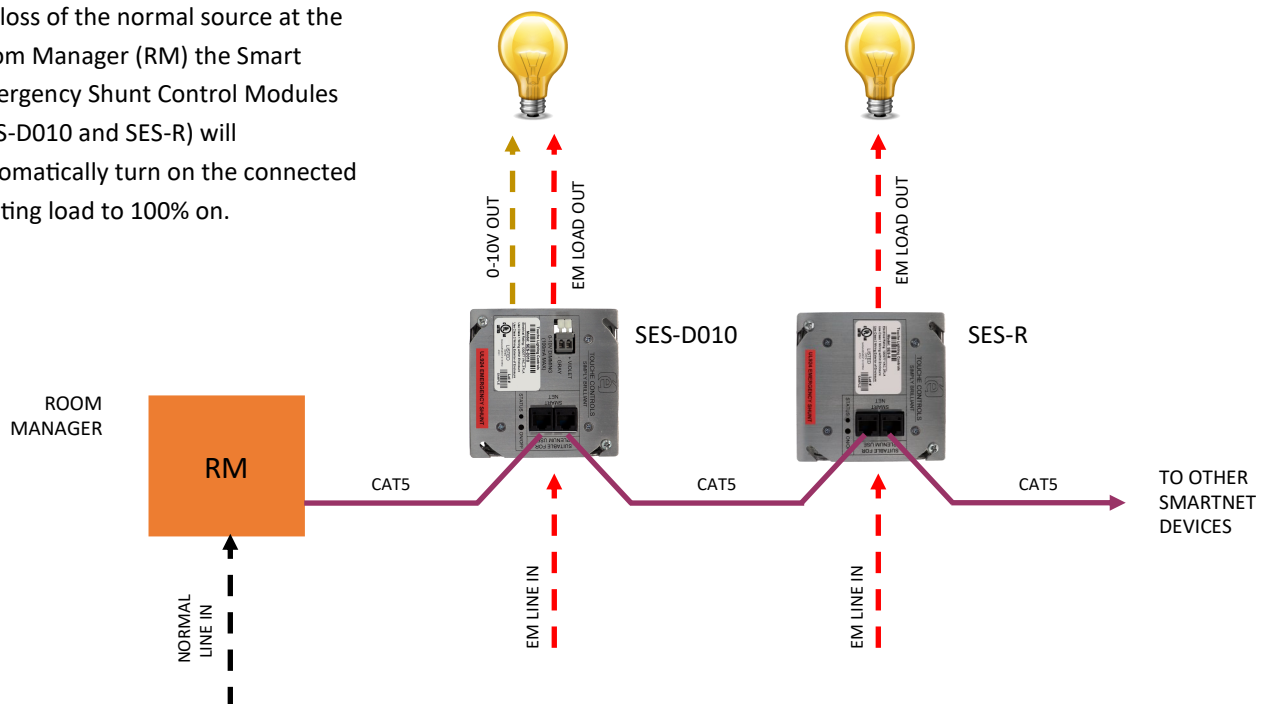
CATALOGUE NUMBER

DEVICE TYPE	CONFIGURATION
SES Smart Emergency Shunt	-R Relay Only
	-D010 Dimmer—0-10V (4-Wire)

CONNECTIVITY

Operation

On loss of the normal source at the Room Manager (RM) the Smart Emergency Shunt Control Modules (SES-D010 and SES-R) will automatically turn on the connected lighting load to 100% on.



Touché Controls (a Product of ESI Ventures)

A: 2085 Humphrey Street, Fort Wayne, IN 46803 T: 888-841-4356

W: ToucheControls.com

Doc: Rev1-1-22