

PRODUCT DATA SHEET

TOUCHÉ CONTROLS



SMART CHANNEL CONTROL MODULE

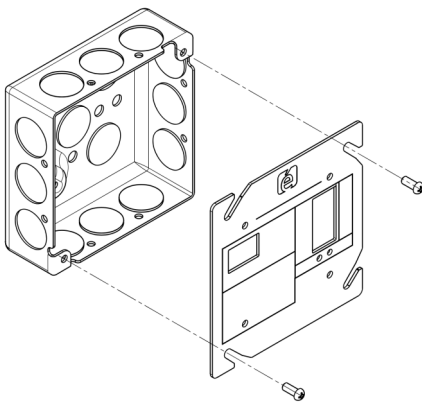


DESCRIPTION

Smart Channel Control Modules expand the number of load control zones available to a Room Manager. These modules offer cost effective expansion of zones for a Room Manager when the connected light fixtures are known to be zero-to-off capable or when daylight zones are required for applications with a normal zone. Dimming control is 0-10V. Each module is self-addressing and does not require any setup or configuration for default control—simply plug the module into a Room Manager and the module is ready to operate.

FEATURES

- Smart Channel Control Modules are connected to and controlled by a Room Manager. Standard CAT5 patch cables interconnect these modules in a daisy-chained configuration. Up to four modules can be connected to each Room Manager.
- Smart Channel Control Modules are a cost effective option for applications where the controlled light fixture is known to be zero-to-off capable.
- These modules offer a cost saving option for rooms requiring daylight control. To utilize these modules for this application, the room must include a common normal zone and daylight zone where control of the line voltage is controlled by the Room Manager and the 0-10V control is independently controlled by the Room Manager's 0-10V channel and this module's 0-10V channel.
- The dimming channel is capable of 0-10V sinking or sourcing up to 100 mA of dimming control.
- Modules can be mounted in plenum ceiling spaces.
- Modules mount to a standard 4" x 4" electrical junction box for simple installation.



MOUNTS TO STANDARD 4"X4"
ELECTRICAL JUNCTION BOX
(JUNCTION BOX NOT INCLUDED)

Touché Controls (a Product of ESI Ventures)

A: 2085 Humphrey Street, Fort Wayne, IN 46803

T: 888-841-4356

W: TouchéControls.com

Doc: Rev1-1-22

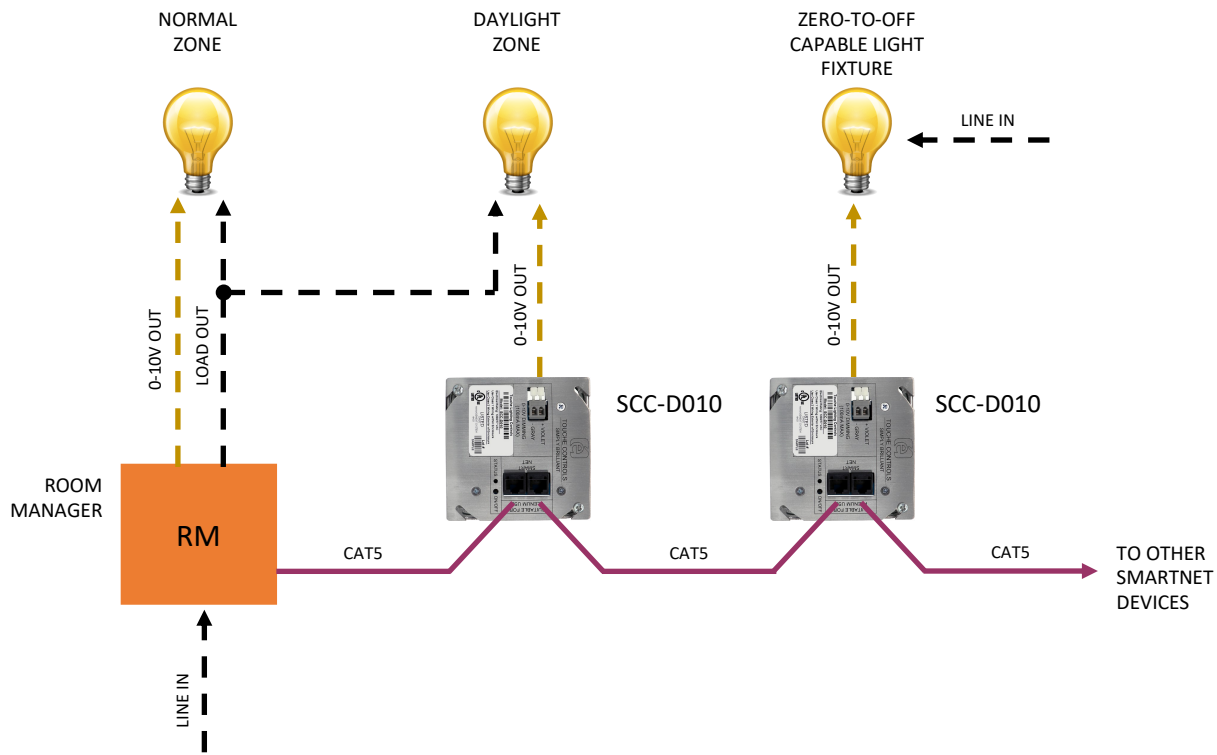
SPECIFICATIONS

VOLTAGE	24VDC - SOURCED FROM SMARTNET (CAT5 CABLE) (NO EXTERNAL POWER SUPPLY REQUIRED)
CAPACITY	LIGHTING: 0-10V (100mA)
CONNECTIVITY	CAT5 (MINIMUM)
LISTINGS	UL916, cUL916
AMBIENT TEMPERATURE	50C (122F)
MAXIMUM HUMIDITY	10 - 90%, NON-CONDENSING
ENCLOSURE	MOUNTS TO A STANDARD 4"X4" ELECTRICAL JUNCTION BOX

CATALOGUE NUMBER

DEVICE TYPE	CONFIGURATION
SCC Smart Channel Control	-D010 Dimmer—0-10V (4-Wire)

CONNECTIVITY



Touché Controls (a Product of ESI Ventures)

A: 2085 Humphrey Street, Fort Wayne, IN 46803 T: 888-841-4356

W: ToucheControls.com

Doc: Rev1-1-22