

PRODUCT DATA SHEET

TOUCHÉ CONTROLS



MASTER INTERFACE



FIELD-MODIFIABLE CONFIGURATIONS

- **Network Manager:** In this configuration the Master Interface manages all network activities including system scheduling, BACnet integration, system overrides, and network logging.
- **Super Room Manager:** In this configuration the Master Interface is set up to control a complex room or area in a facility where the number of control points exceed the capabilities of the Room Manager or the required logic is non-standard. Multiple Master Interfaces can co-exist on a network.



DESCRIPTION

Master Interfaces are powerful system controllers that can be configured for a multitude of applications (see features below for more information). Each Master Interface includes a dual port Ethernet switch providing instant connectivity for networking if desired. An intuitive, graphical, configuration application is provided to program one or more networked Master Interfaces from a single location.

FEATURES

- Master Interfaces can be configured as a Network Manager or a Super Room Manager. (See field-modifiable configurations to the left for more information).
- Controls up to (100) connected devices including relay modules, wall stations, switches, communication interfaces, and more.
- Multiple Master Interfaces can co-exist on a common network.
- Has a built-in astronomical time-clock with an unlimited number of configurable schedules. Dusk/dawn calculator provides dynamic time control eliminating the need of photo-cells.
- Auto-addressing of all connected devices is managed by the Master Interface..
- The Master Interface monitors and logs the status of all connected devices and displays that information locally on its touchscreen display and in the configuration software.
- Both static and dynamic IP addressing is permitted for simple and adaptable setup when Ethernet communication is required.
- Self-monitors its power source for voltage, ampacity, and temperature.
- The enclosure is a rugged powder coated steel housing for long life durability.

Touché Controls (a Product of ESI Ventures)

A: 2085 Humphrey Street, Fort Wayne, IN 46803

T: 888-841-4356

W: www.ToucheControls.com

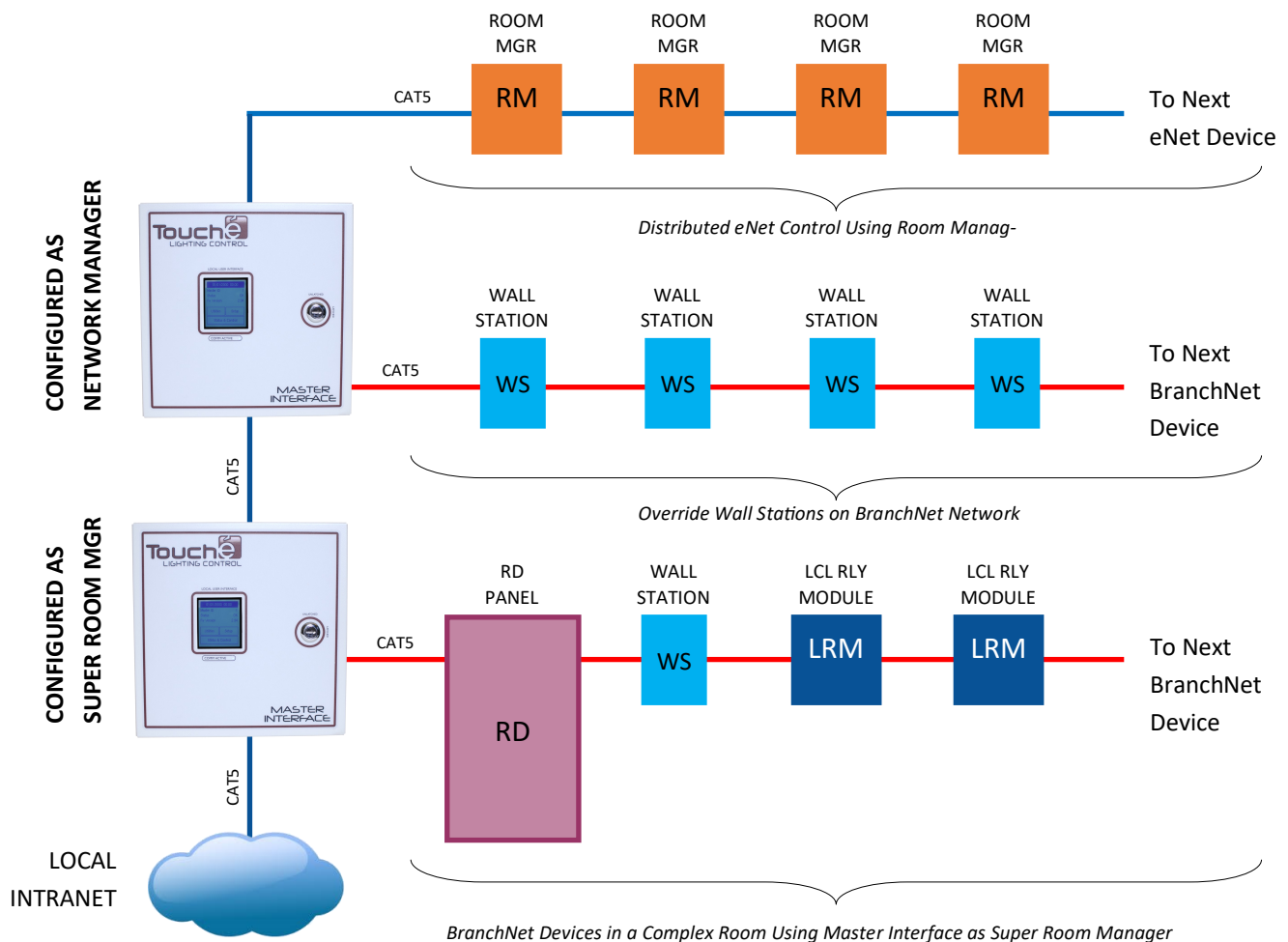
SPECIFICATIONS

VOLTAGE	120/277VAC AUTO-SENSING
CONNECTIVITY	CAT5 (MINIMUM)
LISTINGS	UL916, cUL916
AMBIENT TEMPERATURE	40C (104F)
MAXIMUM HUMIDITY	10 - 90%, NON-CONDENSING
ENCLOSURE	NEMA 1, POWDER COATED STEEL WITH SIMPLE TWIST LATCH

CATALOGUE NUMBER

DEVICE TYPE	VOLTAGE	SERIES
MSTR Master Interface	DVOLT Auto-Sensing Dual Voltage (120/277VAC)	S2 Series 2

CONNECTIVITY



Touché Controls (a Product of ESI Ventures)

A: 2085 Humphrey Street, Fort Wayne, IN 46803

T: 888-841-4356

W: www.ToucheControls.com