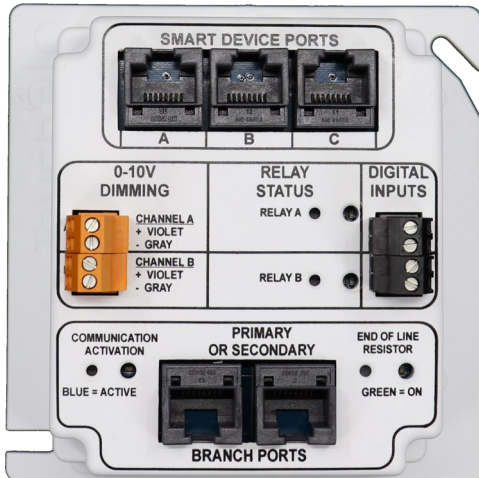


PRODUCT DATA SHEET

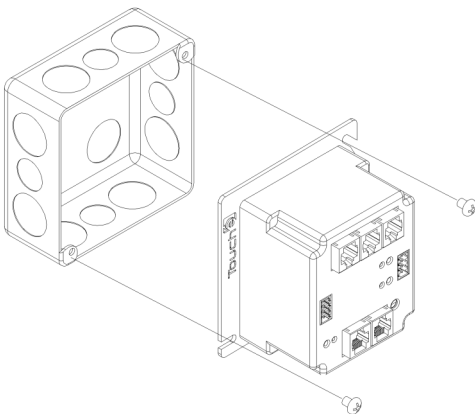
TOUCHÉ CONTROLS



LOCAL RELAY MODULE



SHOWN WITH OPTIONAL
0-10V DIMMING



MOUNTS TO STANDARD 4"X4"
ELECTRICAL JUNCTION BOX
(JUNCTION BOX NOT INCLUDED)

DESCRIPTION

Local Relay Modules expand the number of load control zones, smart ports, and digital input ports available to a Room Manager. Each module supports two channels of relay and/or 0-10V dimmable control. Additionally, these modules include three SmartNet ports for simple connectivity of Smart Sensors and Smart Switches. Two dry-contact digital input ports are provided for interface with contact-closure devices like fire alarm panels, security panels, and momentary switches.

FEATURES

- Local Relay Modules can be connected to, and controlled by a Room Manager. Standard CAT5 patch cables interconnect Local Relay Modules in a daisy-chained configuration. Up to (7) Local Relay Modules can be connected to each Room Manager.
- Local Relay Modules each include two latching (mechanically held) single pole relays. Each relay is 50A relay de-rated to 16 amps (80% of NEC required 20A circuit) and up to 347VAC. Each module incorporates the latest in "zero-cross" switching technology for improved equipment life.
- Each module includes three "smart ports." Each smart port accepts a daisy-chained connection for up to eight smart devices (smart sensors and smart switches). Smart devices are inter-connected via standard CAT5 patch cables. Smart devices are auto-configured and can be connected in any order.
- Local Relay Modules include two digital input ports for connection of "dry-contact" devices (i.e. single function switches, door contacts, partition limit switches, etc.).
- As an option, Local Relay Modules provide two channels of 0-10V sinking or sourcing dimming with up to 20 mA of dimming control per channel. Typical dimming ballasts require 0.5mA.
- Local Relay Modules are capable of controlling lighting and ASHRAE standard 90.1 plug load control.
- Local Relay Modules mount to a standard 4" x 4" electrical junction box for simple installation.

Touché Controls (a Product of ESI Ventures)

A: 2085 Humphrey Street, Fort Wayne, IN 46803

T: 888-841-4356

W: ToucheControls.com

Doc: Rev1-1-22

SPECIFICATIONS

VOLTAGE	24VDC - SOURCED FROM BRANCH NETWORK (CAT5 CABLE) (NO EXTERNAL POWER SUPPLY REQUIRED)
CONNECTIVITY	CAT5 (MINIMUM)
LISTINGS	UL916, cUL916
AMBIENT TEMPERATURE	50C (122F)
MAXIMUM HUMIDITY	10 - 90%, NON-CONDENSING
ENCLOSURE	WHITE UL2043 PLENUM RATED THERMOPLASTIC

CATALOGUE NUMBER

DEVICE TYPE	CONFIGURATION	VOLTAGE	DIMMING
LRM Local Relay Module	2P 2-Pole Module	120/347 120/347 VAC	[BLANK] None 0/10 2-Channels of 0-10V

CONNECTIVITY

