

# PRODUCT DATA SHEET

TOUCHÉ CONTROLS



## INTERPOSING CONTACTOR



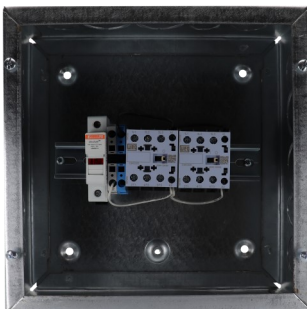
3-POLE VARIANT SHOWN WITH INCLUDED SLC-R CONTROL MODULE

### DESCRIPTION

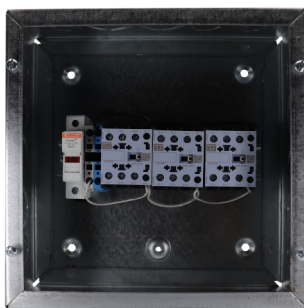
The IC (interposing contactor) provides a convenient method to expand the number of plug-load circuits controlled by Touché's single-pole Smart Load Control (SLC-R) module. This device is available in 3, 6, and 9-pole variants. A SLC-R module is included with each IC device.

### FEATURES

- Interposing Contactors interface with Touché's Smart Load Control Module (SLC-R, included) using a 120VAC switch-leg method of control to expand the number of controllable plug-load circuits in a room. This allows multi-circuit applications to be switched from one common SLC-R module.
- 120VAC control circuit used to energize the contactor coils is internally fused at the IC device to allow control power to be sourced from one of the plug-load circuits.
- Connectivity from the room controller (Smart Pack or Room Manager) uses Touché's standard SmartNet CAT5 cable connection.
- Galvanized metal construction of the enclosure allows IC devices to be installed in plenum spaces near the controlled loads.



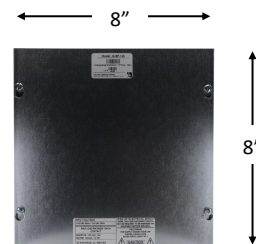
IC-6P: 6-POLE



IC-9P: 9-POLE

### 8" x 8" ENCLOSURE

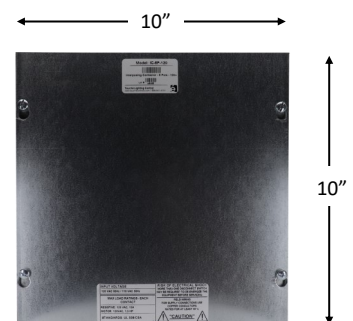
IC-3P: 3-POLE



### 10" x 10" ENCLOSURE

IC-6P: 6-POLE

IC-9P: 9-POLE



Touché Controls (a Product of ESI Ventures)

A: 2085 Humphrey Street, Fort Wayne, IN 46803

T: 888-841-4356

W: [ToucheControls.com](http://ToucheControls.com)

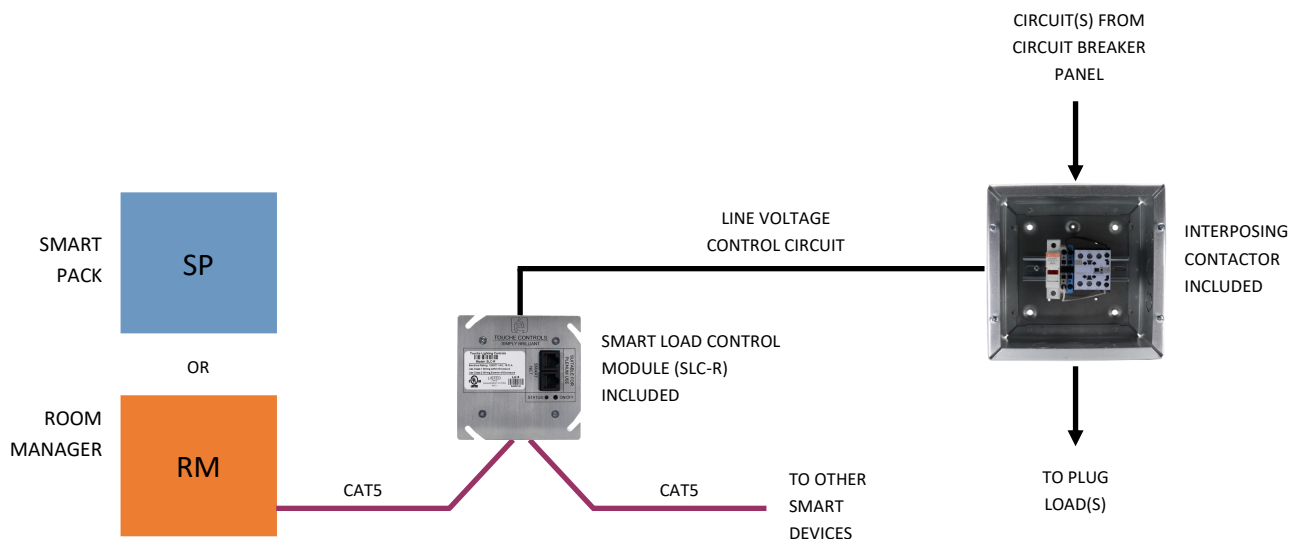
Doc: Rev1-02-23

## SPECIFICATIONS

POWER SUPPLY VOLTAGE	IC: 120VAC SLC-R: SOURCED FROM SMART-NET (NO EXTERNAL PWR SUPPLY REQ)
CONNECTIVITY	SP/RM TO SLC-R: CAT5 (MINIMUM) SLC-R TO IC: 120VAC + SWITCH LEG
LISTINGS	IC: UL508/cUL508 (CONTACTOR) SLC-R: UL916/cUL916
AMBIENT TEMPERATURE	IC: 55C (131F) SLC-R: 50C (122F)
MAXIMUM HUMIDITY	10 - 90%, NON-CONDENSING
SHORT CKT CURRENT RATING (SCCR)	IC: 5kA (600VAC)

CATALOGUE NUMBER		
DEVICE TYPE	POLES	CONTROL VOLTAGE
IC Interposing Contactor	<b>3P</b> 3-Pole	<b>120</b> 120VAC
	<b>6P</b> 6-Pole	
	<b>9P</b> 9-Pole	

## CONNECTIVITY



**Touché Controls (a Product of ESI Ventures)**

**A:** 2085 Humphrey Street, Fort Wayne, IN 46803 **T:** 888-841-4356

**W:** [ToucheControls.com](http://ToucheControls.com)

**Doc:** Rev1-02-23