

# PRODUCT DATA SHEET

TOUCHÉ CONTROLS



## ETHERNET SWITCH



**EXTERIOR**  
NEMA 12 ENCLOSURE



**INTERIOR VIEW**

### DESCRIPTION

Touché's Ethernet Switch provides a convenient solution to connect up to five daisy-chained Ethernet runs at a single point—effectively creating a star configuration at the Ethernet switch. This is especially useful in multi-story buildings or buildings with complex layouts.

### FEATURES

- Unmanaged switch requires no setup for configuration in the lighting control Ethernet network.
- Up to five Ethernet daisy-chained runs can be connected to a single Ethernet switch.
- An unlimited number of Ethernet switches can be used in a single application with virtually no propagation delay for the lighting control system. Latency per switch port is 5uS at 100Mbps.
- NEMA12 enclosure allows the switch to be installed in dirty environments without affecting unit performance.

Touché Controls (a Product of ESI Ventures)

A: 2085 Humphrey Street, Fort Wayne, IN 46803

T: 888-841-4356

W: [ToucheControls.com](http://ToucheControls.com)

Doc: Rev1-1-22

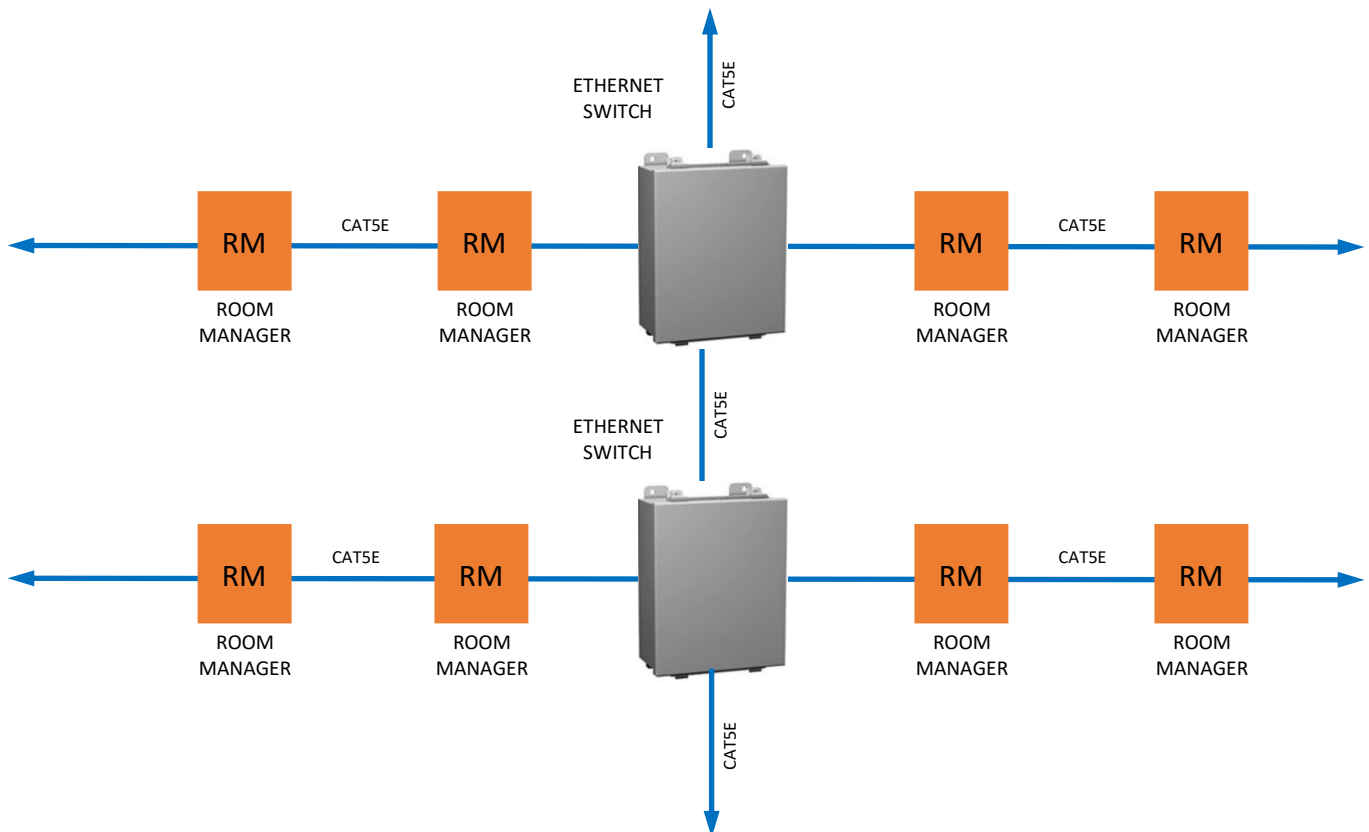
## SPECIFICATIONS

VOLTAGE	85-264VAC (2.5A MAXIMUM)
CONNECTIVITY	CAT5 (MINIMUM)
LISTINGS	UL508 (SWITCH, PWR SUPPLY)
AMBIENT TEMPERATURE	50C (140F)
MAXIMUM HUMIDITY	10 - 90%, NON-CONDENSING

## CATALOGUE NUMBER

DEVICE TYPE	PORT QUANTITY	TYPE	TRANSFER SPEED	SUPPLY VOLTAGE
<b>ES</b> Ethernet Switch	<b>5P</b> 5-Port	<b>U</b> Unmanaged	<b>10/100</b> 10/100 Mbps	<b>120</b> 120VAC

## CONNECTIVITY



**Touché Controls (a Product of ESI Ventures)**

**A:** 2085 Humphrey Street, Fort Wayne, IN 46803 **T:** 888-841-4356

**W:** [ToucheControls.com](http://ToucheControls.com)

**Doc:** Rev1-1-22