

PRODUCT DATA SHEET

TOUCHÉ CONTROLS



UL924 EMERGENCY SHUNT CONTROL MODULE



MODULE SHOWN MOUNTED TO
STANDARD ELECTRICAL JUNCTION
BOX (JUNCTION BOX NOT INCLUDED)

DESCRIPTION

The UL 924 listed emergency shunt module is used in switching and 0-10V dimming applications. This device provides normal operation of both emergency and/or normal lighting loads while also forcing emergency lights on and to full bright during an emergency situation. Automatic diagnostics eliminates the need for manual monthly testing and allows for remote mounting as access to the manual test switch is not required.

FEATURES

- Modules are available as switching only or with optional 0-10V dimming control contacts.
- UL924 listed and designed for applications requiring an emergency load to be switched to an "ON", 100% level, automatically during a loss of normal power.
- Modules include LED indicators that provides visual indication of the emergency and normal utility source power.
- These economically-priced modules are designed to install on a standard electrical junction box near the controlled load.
- A time delay feature implements a short delayed response for the emergency controlled load so that the user can visually determine what loads are fed by the emergency source (this eliminates time-consuming testing procedures for maintenance staff).
- Modules with optional 0-10V control include a normally open set of contacts to force 4-wire controlled loads to a high level upon loss of normal power.
- Modules are auto-sensing for either 120VAC or 277VAC operation.
- A local test button allows the user to verify proper operation.

Touché Controls (a Product of ESI Ventures)

A: 2085 Humphrey Street, Fort Wayne, IN 46803

T: 888-841-4356

W: ToucheControls.com

Doc: Rev0-8-20

SPECIFICATIONS

VOLTAGE	120/277VAC AUTO-SENSING
ENCLOSURE	THERMOPLASTIC—SUITABLE FOR PLENUM INSTALLATION
LISTINGS	UL924, cUL924
AMBIENT TEMPERATURE	60C (140F)
MAXIMUM HUMIDITY	10 - 90%, NON-CONDENSING

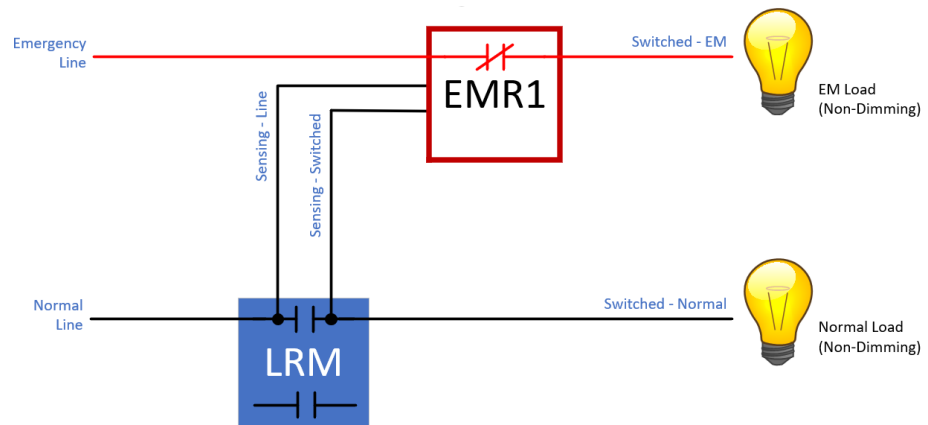
CATALOGUE NUMBER

DEVICE TYPE	DIMMING OVERRIDE TYPE	SERIES
EMR1 Emergency Shunt Control Module	[BLANK] Relay Only—No Dimming	S3 Series 3
	0/10 Includes 0-10V Dimming Control Override	

CONNECTIVITY

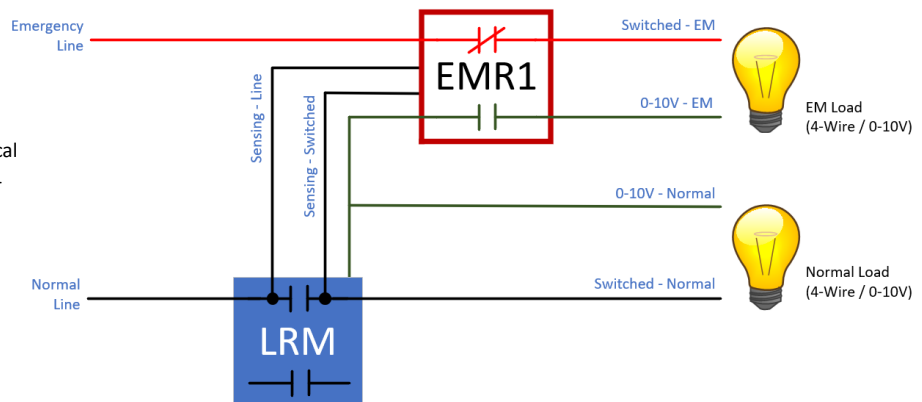
EMR1-S3—NON-DIMMING

Module is shown interfacing with Local Relay Module (LRM). Module is compatible with all Touché line voltage switching devices.



EMR1-0/10-S3—0-10V DIMMING

Module is shown interfacing with Dimming Local Relay Module (LRM-0/10). Module is compatible with all Touché 0-10V dimming modules.



Touché Controls (a Product of ESI Ventures)

A: 2085 Humphrey Street, Fort Wayne, IN 46803 T: 888-841-4356

W: ToucheControls.com

Doc: Rev0-8-20