

# PRODUCT DATA SHEET

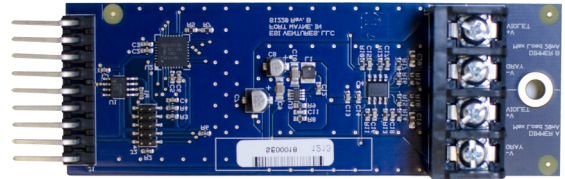
TOUCHÉ CONTROLS



## 0-10V, TWO-CHANNEL DIMMING MODULE



TWO-POLE RELAY MODULE  
(INCLUDED)



TWO-CHANNEL DIMMING MODULE  
(INCLUDED)

### DESCRIPTION

0-10V Dimming Modules provide two channels of 0-10V dimming. These modules combine a two-pole line voltage switching module and a two-channel 0-10V dimming module to control both the line voltage and low voltage of a 4-wire dimmable load.

### FEATURES

- Dimming modules communicate with the lighting control system to report:
  - The dimmer's current dimming level (0-100%).
  - The line source state (available or off).
  - The communication status (active / not available).
  - The module's "health" (if the module is non-operable).
- 0-10V Dimming Modules provide two channels of 0-10V sinking or sourcing dimming with up to 100 mA of dimming control per channel. Typical dimming ballasts require 0.5mA.
- These modules completely disconnect the line voltage load from the source automatically when the dimmer is set to 0%.
- 0-10V Dimming Modules are interchangeable with all other RD style relay and dimming modules, providing a higher level of flexibility than currently available in the market.
- Minimum dimming step percentage is 1% or as limited by the controlled driver.

Touché Controls (a Product of ESI Ventures)

A: 2085 Humphrey Street, Fort Wayne, IN 46803

T: 888-841-4356

W: [www.ToucheControls.com](http://www.ToucheControls.com)

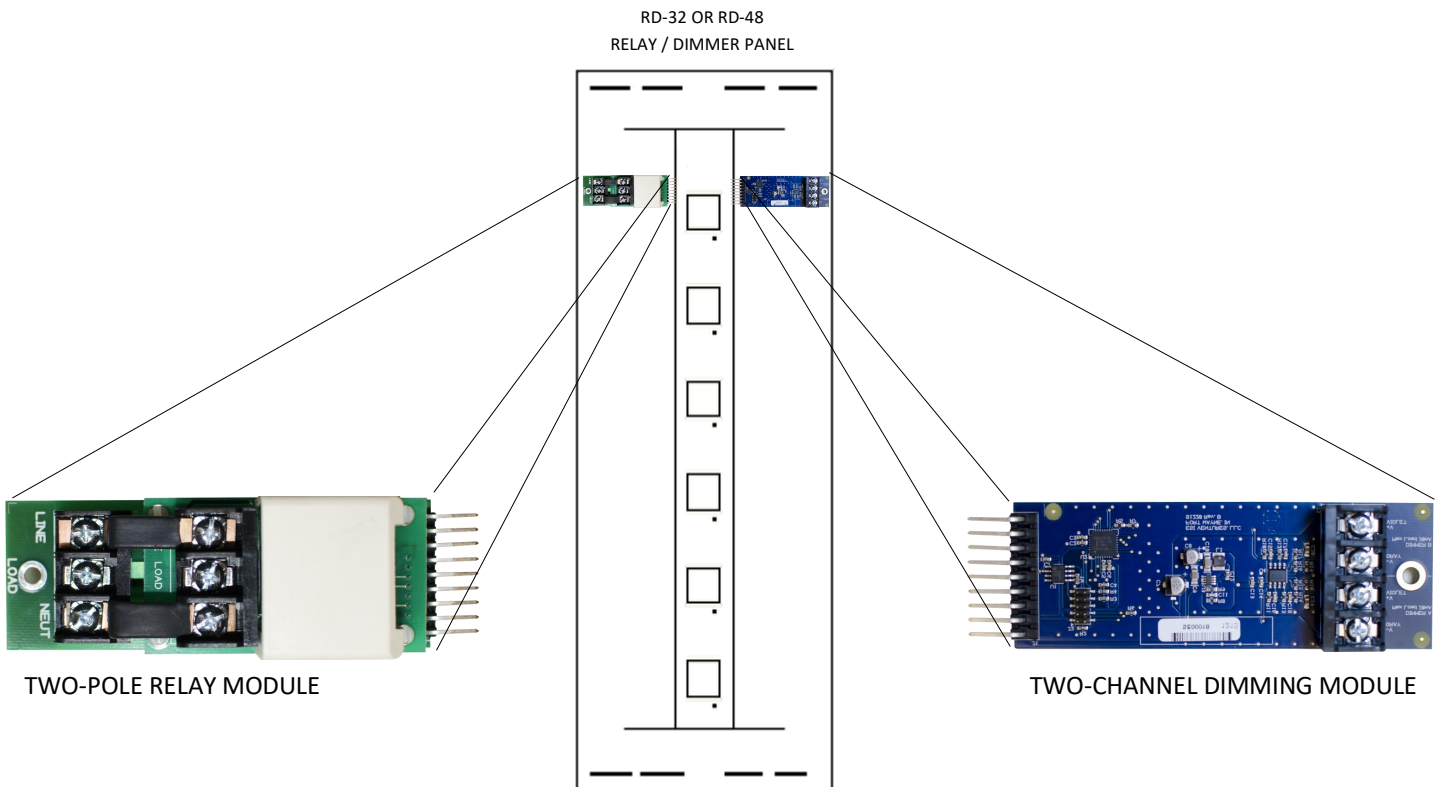
## SPECIFICATIONS

VOLTAGE	120/277VAC
MAX LINE AMPERAGE	16A (80% OF 20A CIRCUIT) PER CHANNEL
LISTINGS	UL916, cUL916
TERMINAL RATING	#10 AWG
DIMMING	100 MILLIAMPS PER CHANNEL
SPECIAL CONSIDERATIONS	NEUTRAL REQUIRED FOR ZERO-CROSS SWITCHING

## CATALOGUE NUMBER

DEVICE TYPE	CONFIGURATION	VOLTAGE
<b>DIM</b> Dimmer	<b>0/10</b> 0-10V	<b>2CH</b> Two Channels of Dimming

## CONNECTIVITY



**Touché Controls (a Product of ESI Ventures)**

**A:** 2085 Humphrey Street, Fort Wayne, IN 46803

**T:** 888-841-4356

**W:** [www.ToucheControls.com](http://www.ToucheControls.com)