

ROOM MANAGER



FEATURES-

- Stand-alone control or Ethernet networkable.
- Bluetooth capable for wireless smart phone/tablet interfacing and configuration. Does not require proprietary remote controls that can get lost or broken.
- Capable of controlling one or two separate rooms with one common module.
- Supports:
 - Two, integral, fully rated 0-10V dimmable channels.
 - Two digital input ports for contact closure interfacing
 - Two digital output ports for contact closure control.
 - Two smart ports for smart occupancy and daylight sensors. Sensors can be daisy chained with up to eight sensors per port.
- Channel expansion up to eight channels when used in conjunction with LRM modules (x2 - for each room).
- Relays are plug-load listed.
- Default configurations for occupancy mode, vacancy mode, and day-light harvesting control.
- Module supports custom and semi-custom configuration for applications requiring complex or unique control demands.
- When networked, this module supports bi-directional communication with a Master Interface for system-wide data logging, timeclock/schedule control, override control, status reporting and much more.

RM

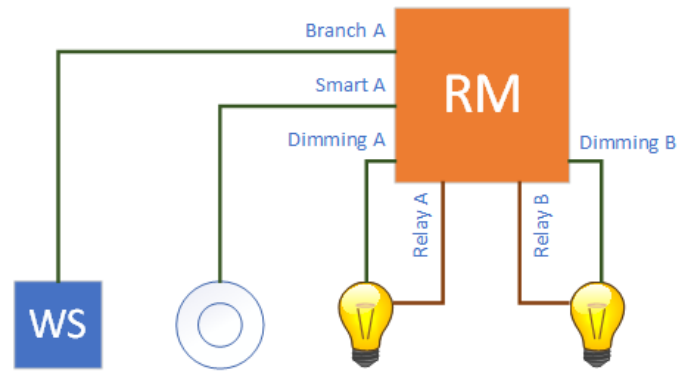
SPECIFICATIONS

Mounting Considerations:	Mounts to standard 4" Square Electrical Junction Box.
Enclosure Construction:	White Thermoplastic Plenum Space Compliant
Power Supply Voltage:	Sourced from Integral Power Supply. (Power Supply is 120/277 Auto-Sensing)
Listings:	<i>UL 916 / cUL 916 and UL2043 Plenum</i>
Ambient Temperature:	40° C (104° F)
Maximum Humidity:	10—90% Non-Condensing

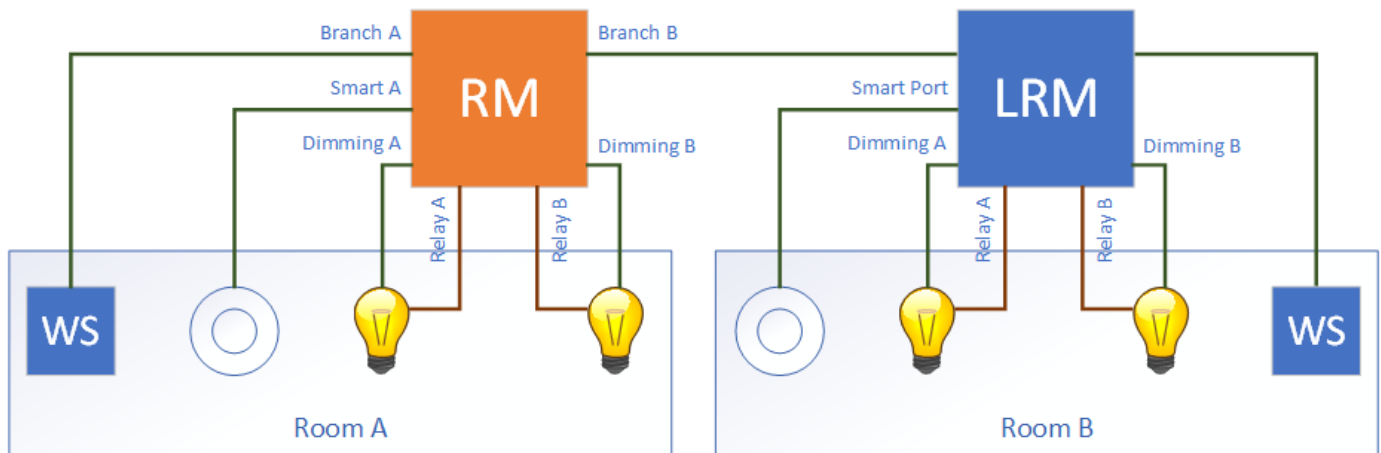
ROOM MANAGER

RM

- RM** **Room Manager** - Capable of single or dual room control. Network for added functionality.
- LRM** **Local Relay/Dimming Module** - Add modules as required for additional zones of control.
-  **Smart Occupancy/Daylight Sensor** - Add sensors as required to accomodate configuration of room (up to 8 per port).
- WS** **Touchscreen Wall Station**- Add wall stations as required.



Room Manager Controlling Single Room



Room Manager Controlling Two Seperate Rooms

PART NUMBER

